

Go to Air With Confidence

3040P/DLO Playlist Payout System With Download Option

Secure hardware panel standing by . . .

Looking for an affordable redundancy plan to keep your commercials and programming on the air? DNF's 3040P/DLO Playlist Payout System with Download Option offers you low-cost insurance that lets you take control of your server quickly and easily — to make sure you stay on air.



Front and Back View

The 3040P/DLO provides a versatile and flexible means to download your playlist, edit it, and get it on the air — fast! Based on DNF Controls' ST400 control system, the 3040P/DLO is fast, reliable, and easy to use in the event of an on-air automation failure. You can download complete playlists from your automation or traffic system and operate the 3040P/DLO in either hot standby or continuous server-control mode, taking it to air when backup systems must roll. The 3040P/DLO is also ideal for applications requiring time-triggered video payout, unattended satellite feed recording, and fixed and variable time delay payout.

24/7 Reliability — Great New Features!

- Download complete playlists from your traffic/automation system
- Versatile on-air automation system backup supports hard and follow-along time triggers, as well as manual triggers
- **New!** Supports time-triggered record events in record playlist
- Control up to four video-server channels and two VTRs simultaneously with playlists of up to 2000 elements each
- **New!** Optional GPO secondary event supported for record and playback events
- Edit and modify any element in your playlist during payout
- Available protocols: VDCP (Specify 3040P/DLO-L)

Applications

DNF's 3040P/DLO is used in all aspects of television broadcast — including multichannel and centralcasting applications — and by cable networks for time-triggered video payout, unattended satellite feed recording, and fixed and variable time delay.



PUTTING YOU IN CONTROL



24/7 RELIABILITY

3040P/DLO Specifications

Power	90 VAC to 265 VAC adapter supplied with IEC connector
Size	L" x W" x H" 12 3/4" x 8" x 1 3/4" (front) 3 5/8" (rear) 8 5/8" high to top of display
Weight	10 lbs
Rear Panel Connectors	VTR1,2,3,4,5,6 (All DB9F) GPI (DBF26F) Power (DB9M) SHOTBOX (DB9F) PBIO (DB9F) Keyboard (6-pin mini DIN) Ref. Video In (BNC) Ground Threaded stud
Display	Easy to read, back-lit LCD display
Jog/Shuttle Wheel	With mechanical detents

RS422 Serial Connector 9-Pin D-Type, Female (DB9F)

Pin #	Function	Pin #	Function
1	Frame Ground	6	Receive Common
2	Receive A ←	7	Receive B ←
3	Transmit B →	8	Transmit A →
4	Transmit Common	9	Frame Ground
5	Spare		

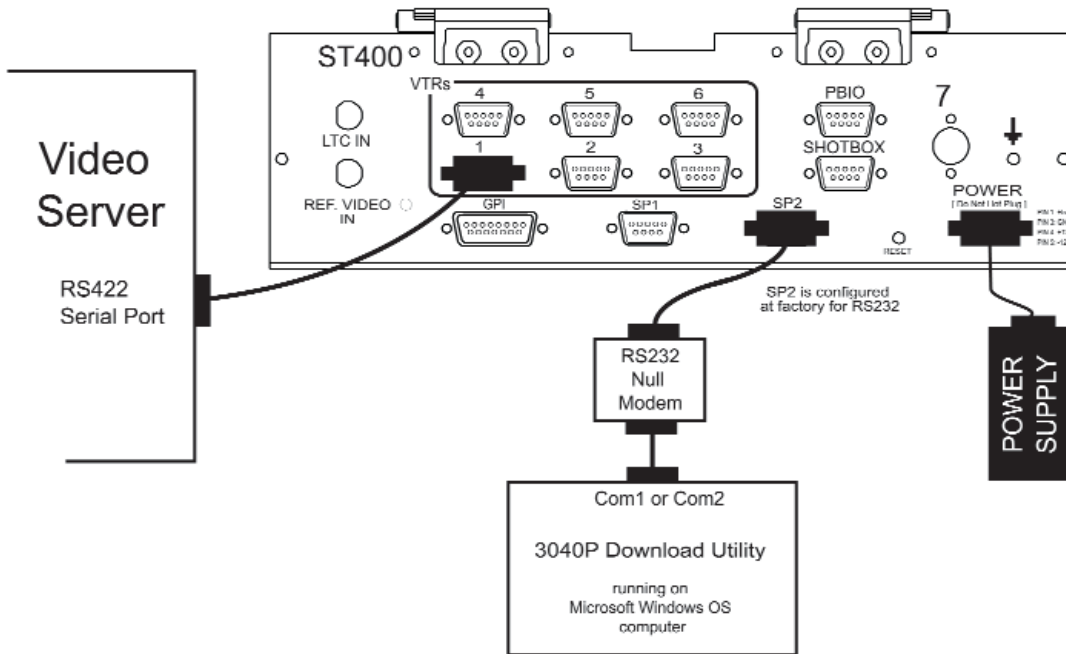
Power Connector 9-Pin D-Type, Female (DB9M)

Pin #	Function	Pin #	Function
1	+5v DC	6	+5 vDC
2	+5v DC	7	Ground
3	Ground	8	Ground
4	+12 vDC	9	Ground
5	-12 vDC		

GPI IN / OUT Connector 26-Pin D-Type, Female (DB26F)

3040P With Download System Installation Diagram

System consists of:
 3040P Playlist Payout Controller with Download Software
 3040P Download Utility, a software application for MS Windows PCs



www.dnfcontrols.com



12843 Foothill Blvd. Suite D
 Sylmar, California 91342
 p.818.898.3380 f.818.898.3360 sales@dnfcontrols.com