



12843 Foothill Blvd.,
Suite D
Sylmar, CA 91342
818 898 3380 voice
818 898 3360 fax
www.dnfcontrols.com

Model No. 2044CL-L-8 (& 2044CL-L-8-T)

300 CLIP FAST ACCESS SYSTEM

Louth Protocol

USER MANUAL

TABLE OF CONTENTS

1. REVISION HISTORY	4
<u>GETTING STARTED . . .</u>	<u>5</u>
2. SYSTEM DESCRIPTION	5
DEFINITIONS	5
3. SYSTEM INSTALLATION	6
A. SHOTBOX	6
B. ST400-S/SM, VTR/DDR CONTROLLER	6
4. VIDEO SERVER SETUP	7
5. LOAD A CLIP	7
6. LEARN A CLIP OR CLIP COMBINATION	8
A. ON THE ST400	8
B. ON THE SHOTBOX	9
7. RECALL A CLIP OR CLIP COMBINATION	9
A. ON THE ST400	9
B. ON THE SHOTBOX	9
8. RECUE CLIP	10
9. CLEAR CUE POINTS	10
A. ON THE ST420 SHOTBOX	10
B. ON THE ST400	10
10. PLAY CLIP SEGMENT	11
<u>ADVANCED FEATURES . . .</u>	<u>12</u>
11. CREATE A CLIP	12
12. SHOTBOX SHOTKEY MAPPING TO SHOTLIST LOCATIONS	12
13. SHOTBOX CONTROL SWITCHES	12
14. VIEW SHOTKEY ASSIGNMENTS	13
ON THE SHOTBOX	13
15. REALIGN GANGED CHANNELS	13
16. CREATE CUE POINT LABELS	14
ON THE ST400	14
17. CAPTURE	15

REFERENCE . . . **16**

18. SETUP MENU	16
19. FUNCTION TABLE	19
20. TROUBLESHOOTING	21
21. SPECIFICATIONS	22
A. ST400	22
B. ST420 (SHOTBOX)	23
22. KEY LAYOUT	24
23. DNF CONTROLS LIMITED WARRANTY	25

Manual Version.....1.41 092007
Document ID..... 2044CL-L-8_User_Manual.doc

1. REVISION HISTORY

063004	1.0	Original document.
080204	1.1	Revised Connection Diagram.
081104	1.2	Added Sections: CREATE CUE POINT LABELS and CAPTURE. Revised Setup Menu. Revised Function Table. Revised Key Layout.
120104	1.3	Updated ST420 Troubleshooting section.
063005	1.4	Added Video Reference instructions.
092706	1.42	Updated GPI connector specifications.
092007	1.43	Added DSK setup chart.

Getting Started . . .

2. SYSTEM DESCRIPTION

The 2044CL system includes DNF's most robust controller, the ST400, with the industry's premiere Shotbox, the ST420.

The ST400 controls up to 8 video channels individually or ganged. It features full transport functionality.

The LCD buttons on the Shotbox display clip names and delivery instant access to video clips on up to 8 channels.

The assign-able keys on the ST420 Shotbox allow clip names to be organized on ten different banks of keys for easy access.

The 2044CL provides instant access to fill clip and key clip combinations with the press of one key.

The 2044CL-L supports VDCP protocol and requires that the Video Server be controllable under VDCP Protocol.

The 2044CL provides instant access to existing video clips stored in the Grass Valley Group PROFILE, the Leitch VR, and other Video Servers supporting VDCP Protocol.

DEFINITIONS

- ❑ Throughout this document, DDR, VDR & Video Server will be referred to collectively as "Video Server."
- ❑ The ST400-S/SM will be referred to as ST400.
- ❑ The ST420 SHOTBOX will be referred to as "Shotbox."
SHOTKEY refers to the 1-30 switches on the Shotbox.
- ❑ Words surrounded by brackets, for example, [ENTER], are keys on the ST400 or the SHOTBOX. [XXX] + [XXX] means hold the two keys down simultaneously.
- ❑ The 6 keys directly below the display are referred to as "Softkey." Their function changes as indicated on the last line of the display.
- ❑ Shotkeys and Cue Points refer to the same memory locations. Both terms are interchangeable.

3. SYSTEM INSTALLATION

a. SHOTBOX

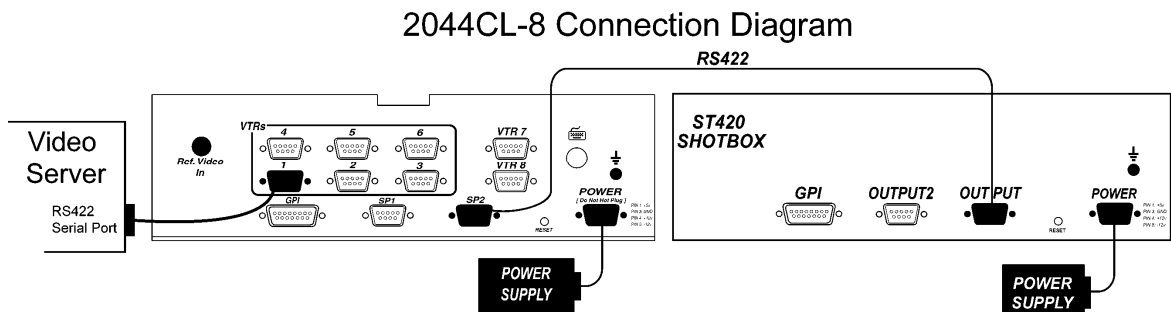
- 1) Plug one end of a standard 9-pin, RS422 serial cable into the OUTPUT connector on the rear of the Shotbox. Plug the other end of the cable into the "SP2" connector on the rear of the ST400.
- 2) Connect the supplied POWER SUPPLY, AULT#SW300, into the POWER connector on the rear of the SHOTBOX. Plug the Power Supply into an outlet, 90 VAC - 240 VAC.

b. ST400-S/SM, VTR/DDR CONTROLLER

- 1) Plug one end of a 9-conductor, RS422 serial cable into the VTR1 (2, 3, 4, 5 or 6) Shotbox or PBIO connector on the rear of the ST400. Plug the other end of the cable into the 9-pin REMOTE connector on the Video Server.
- 2) Connect the supplied POWER SUPPLY, APX#4108, into the POWER connector on the rear of the ST400. Plug the Power Supply into an outlet, 90 VAC - 240 VAC.
- 3) Plug in a Black Burst Reference Video Source into REF. VIDEO IN connector on the back of the ST400 using a BNC cable. Attached Video Ref. cable (from House Ref.) to Ref. Video on the rear of the ST400 to utilize the capture function or the gang function. Video Reference must be connected for frame accurate playout of ganged channels, and for Capture function.
- 4) Check SETUP MENU prior to using the ST400 to confirm proper Record mode and other User settable modes.

Installation is complete.

CONNECTION DIAGRAM



4. VIDEO SERVER SETUP

- a. Select Louth Broadcast communications protocol on the VIDEO SERVER to be controlled.
- b. Assign a serial port on the VIDEO SERVER through which the ST400 will control it.

NOTES: In Louth mode, the VIDEO SERVER ONLY allows Full Record. INSERT and ASSEMBLE record modes are disabled.

Setup is complete

5. LOAD A CLIP

- a. Select a VTR by pressing VTR [1], [2], [3], [4], [5], [6], [7] or [8].
- b. Press [**CLIP LIST**] to view the list of CLIP IDs that are resident on the Video Server. The CLIP LIST indicator will turn on.
- c. Press [**CREATE**] to create and load a new clip.
(Creating a clip is described in the CREATING A CLIP section.)

OR

Turn the Wheel to view the existing CLIP IDs on the video server.

Turn the Wheel clockwise to scroll forward, or counter-clockwise to scroll backward, through the list of available CLIPs.

OR

Press [**ENTER**] to manually enter a CLIP ID using the ST400 numeric keypad, PC keyboard or QWERTY keyboard on the shotbox.

- d. Press [**LOAD**] to load the entered CLIP ID for playout.
- e. Repeat steps a. thru d. to load clips on desired VTRs.

6. LEARN A CLIP OR CLIP COMBINATION

a. ON THE ST400

- 1) Press VTR [1], [2], [3], [4], [5], [6], [7] or [8].
- 2) Load a clip on the selected channel. See section LOAD A CLIP.
- 3) Use the transport functions to view the clip.

Press [IN] to mark an IN point. The IN LED will blink. On recall, the clip will cue to the IN time, not the beginning of the clip and the LED will stay on steady.

Optional- Press [OUT] to mark an OUT point. The OUT LED will blink. On recall, the clip will play to the OUT point then stop.

To delete an IN or OUT point, press and hold [DEL], then press [IN] or [OUT]. The IN/OUT LED will turn off.

If no IN point is marked, the current location of the clip will be learned as the IN point.

- 4) For GANGs, repeat steps 1), 2) and 3) for each channel. Then press the [GANG] softkey.

Press VTR [1], [2], [3], [4], [5], [6], [7] or [8] to add the VTR to the GANG. The VTR LED will turn on.

Press the VTR key again to remove it from the gang. The VTR LED will turn off.

Press [ESC] to exit GANG mode. The LED of all GANGED VTRs will turn on.

- 5) Select the desired Cue Point by pressing [NEXT CUE], [LAST CUE] or by manually entering the Cue Point using the numeric keypad, followed by [ENTER].

The selected Cue Point number is shown on the bottom part of the display.

- 6) Press [SHIFT] + [LEARN] to initiate the Learn. The display will show: "Select VTRs to learn:-----"

- 7) Select the VTRs to be learned by pressing VTR keys [1], [2], [3], [4], [5] [6], [7] and/or [8].

- 8) Press [LEARN] to complete the Learn process.
NOTE: Learn will overwrite the previous contents of the Cue Point.

Press [ESC] at anytime to escape without LEARNing.

b. ON THE SHOTBOX

- 1) Press **[LEARN]**. The LEARN indicator will turn on.
- 2) Select the desired BANK by pressing BANK **[1]**, **[2]**, **[3]**, **[4]**, **[5]**, **[6]**, **[7]**, **[8]**, **[9]**, or **[0]**.
- 3) Press the desired Shotkey to complete the learn process.
The learned CLIP ID is displayed on the Shotkey.

LEARN will save the CLIP ID on the channel selected in step #1, the IN and OUT points marked in step #2, and the GANG configuration selected in step #3.

NOTE: LEARN will overwrite the previous contents of the Shotkey.

- 4) Press **[ESC]** at anytime to escape without LEARNing.

7. RECALL A CLIP OR CLIP COMBINATION

a. ON THE ST400

- 1) Select the desired Cue Point by pressing **[NEXT CUE]**, **[LAST CUE]** or by manually entering the Cue Point using the numeric keypad.

The selected Cue Point number is shown on the bottom of the display.

- 2) Press **[LOAD]** on the ST400.

The ST400 will automatically load the learned clips on the learned VTRs.
Cue the clips to the learned IN time.

b. ON THE SHOTBOX

- 1) Select the desired BANK by pressing BANK **[1]**, **[2]**, **[3]**, **[4]**, **[5]**, **[6]**, **[7]**, **[8]**, **[9]** or **[0]**.
The Shotkeys will display the assigned CLIP IDs for the selected bank.
- 2) Press the desired Shotkey.
The selected clip or clip combination will be loaded on the learned channels, and cued to the learned IN point. The learned OUT point and GANG mode will be set.

8. RECUE CLIP

- a. Press **[RECUE]**. If an IN Point is marked (the IN indicator is on), the clip will RECUE to the IN Point.
- b. Press **[CUE OUT]** to cue to the marked OUT point.

9. CLEAR CUE POINTS

a. ON THE ST420 SHOTBOX

- 1) Select the desired BANK by pressing the desired bank key.
- 2) Press and hold the **[SHIFT]** key.
- 3) Press the desired Shotkey to be cleared.
After the cue point is cleared, the Shotkey will be blank.

OR

b. ON THE ST400

- 1) Select the cue point to be cleared using **[NEXT CUE]**, **[LAST CUE]**, or manually entering the cue point number.
- 2) Press **[SHIFT] + [LEARN]**.
The **[CLEAR]** softkey will be displayed on the bottom of the display.
- 3) Press the **[CLEAR]** softkey to clear the cue point. The cue point will be cleared and the display will return to the normal screen.

OR

Press **[ESC]** to escape without clearing.

10. PLAY CLIP SEGMENT

- a. Set an IN Point and OUT Point.
Jog/Shuttle to the desired IN point. Press [IN]. The IN LED will blink.
Jog/Shuttle to the desired OUT point. Press [OUT]. The OUT LED will blink.

OR

Press [SHIFT] + [IN]. Manually enter the IN time on the numeric keypad. Press [ENTER].

Press [SHIFT] + [OUT]. Manually enter the OUT time on the numeric keypad. Press [ENTER].

- b. Learn the segment into a cuepoint.
- b. Recall a cuepoint.
The IN and OUT LEDs turn on steady.
- c. Press [PLAY]. The clip will play the OUT point, then stop.

NOTE: If IN & OUT LEDs blink, the clip will not stop at the OUT point. It will only stop at the OUT point of LEDs are on steady.

Advanced Features . . .

11. CREATE A CLIP

- a. In the Setup Menu, configure Louth port as Input Port.
- b. Press [**CLIP LIST**].
- c. Press [**CREATE**]. The display will show the default CLIP ID.
- d. Press [**LOAD**] to accept the default CLIP ID.

OR

Manually enter an ID with a maximum of 32 characters from the ST400 numeric keypad.

OR

Manually enter an ID with a maximum of 32 characters from a PC keyboard.

- e. Press [**LOAD**]. The clip will be created and loaded.

If the entered CLIP ID already exists, a warning message will be displayed. To load the existing clip, press [**ENTER**]. Press [**ESC**] to exit without loading the existing clip.

12. SHOTBOX SHOTKEY MAPPING TO SHOTLIST LOCATIONS

The Shotkeys on the Shotbox access the cue point locations in the ST400 as follows:

BANK 0, Shotkeys 1 → 30 access cue point locations 001 → 030.
BANK 1, Shotkeys 1 → 30 access cue point locations 101 → 130.
BANK 2, Shotkeys 1 → 30 access cue point locations 201 → 230.
BANK 3, Shotkeys 1 → 30 access cue point locations 301 → 330.
BANK 4, Shotkeys 1 → 30 access cue point locations 401 → 430.
BANK 5, Shotkeys 1 → 30 access cue point locations 501 → 530.
BANK 6, Shotkeys 1 → 30 access cue point locations 601 → 630.
BANK 7, Shotkeys 1 → 30 access cue point locations 701 → 730.
BANK 8, Shotkeys 1 → 30 access cue point locations 801 → 830.
BANK 9, Shotkeys 1 → 30 access cue point locations 901 → 930.

13. SHOTBOX CONTROL SWITCHES

- a. [**PLAY**]: Plays out the selected clip.
- b. [**RECUE**]: Returns to the IN point of the clip.
- c. [**STOP**]: Stops playout of the clip.

14. VIEW SHOTKEY ASSIGNMENTS

ON THE SHOTBOX

- a. Press [VIEW]. The VIEW LED indicator will turn on.
- b. Select the desired BANK by pressing the appropriate bank key.
- c. Press and hold the desired Shotkey.
- d. The lcd display on the Shotkeys will show the current assignment of all 6 VTRs for the pressed Shotkey.
- e. Release the Shotkey when done viewing.
- f. Repeat steps a through e.

15. REALIGN GANGED CHANNELS

When the channels are Jogged/Shuttled/Slomoed in gang, they may drift apart. To bring the channels back to their initial offsets, press [SHIFT] + [STOP].

16. CREATE CUE POINT LABELS

Use LABELS mode to assign meaningful names to cue points. Rather than viewing cryptic CLIP IDs on the Shotkeys, LABELS provides a faster and easier method to select cue points.

If different parts of the same clip are assigned to many Shotkeys, LABELS allows a unique name to be assigned to each Shotkey.

ON THE ST400

- a. In Setup Menu, turn LABEL MODE on.
- b. Select cue point to label.
- c. Press the [LABEL] key.
- d. Manually enter a label, up to 8 characters in length, using the numeric keypad, ST420 Shotbox QWERTY keyboard, or PC keyboard.
- e. Press the [LOAD] shotkey on the Shotbox to assign the entered label to the selected cue point.

OR

[ENTER] on the ST400.

OR

[ENTER] on the PC keyboard.

OR

[NEXT CUE] or [LAST CUE].

NOTE: Labels are saved in non-volatile memory in the ST400, not in the Shotbox. They are not saved in the video server.

17. CAPTURE

This function allows clips to be recorded on to the Video Server from a video source (SOURCE) such as a VTR. The SOURCE is connected to a VTR1-8 connector. The source VTR must be set to BVW-protocol mode.

Prior to performing a capture, press [**MENU**].

Set the PREROLL value for the SOURCE VTR. Typical value is 5 seconds.

Set the RECORD DELAY value. This is the record latency of the video server. Typical value is 3 (frames).

Select the destination Video Server Channel. The destination channel may be any VTR.

- a. Select the source VTR (BVW mode).
- b. Set an IN point on the SOURCE VTR.
Jog/Shuttle to the desired IN point. Press [**IN**].
OR

Press [**SHIFT**] + [**IN**]. Manually enter the IN time on the numeric keypad. Press [**ENTER**].

- b. Set an OUT point on the SOURCE VTR.
- c. Jog/Shuttle to the desired OUT point. Press [**OUT**].
OR

Press [**SHIFT**] + [**OUT**]. Manually enter the OUT time on the numeric keypad. Press [**ENTER**].

- d. Press [**SHIFT**] + [**RECORD**].
The display will prompt for a CLIP ID.
Manually enter a CLIP ID (maximum of 32 characters) using the numeric keypad, the Shotbox QWERTY keyboard, or PC keyboard.

Press [**CREATE**] to accept the entered CLIP ID.

The SOURCE VTR will preroll to its IN point, then play. The video server will start recording at the SOURCE's IN point and stop recording at the SOURCE's OUT point.

The created clip will be loaded on the destination channel.

Reference . . .

18. SETUP MENU

Press **[MENU]**. The MENU indicator will turn on.
The display will show the following parameters with their current settings.

Turn the wheel to select a menu option.
Press the **[CHANGE]** softkey to modify the current setting.

Press the **[EXIT]** softkey to exit the Setup Menu.

<u>PARAMETER</u>	<u>DESCRIPTION</u>
LOUTH PORT	Enter the controlled channel's Louth port number (1 - 9) on the numeric keypad. Then press the [INPUT] or [OUTPUT] softkey. An INPUT is indicated by '-' before the port number. To CREATE (RECORD) clips, an INPUT channel must be selected. To playout CLIPS, an OUTPUT channel must be selected. Enter '0', to turn off the port.
PROTOCOL	Select the desired protocol configuration (LOUTH) or [BVW] .
STANDARD	[NTSC] or [PAL]
WIND MODE	[HOLD] (Fast wind is maintained only while key is depressed.) OR [LATCH] (Fast wind is initiated and maintained with momentary key press.) [SPEED] Press the softkey to change the speed setting (3.9, 6.0, 8.1, 10.0, 23.7).
EXTENDED IDs	[ON] – Allow up to 32-character CLIP IDs. [OFF] – Allow up to 8-character CLIP IDs.
RECORD MODE	Press a softkey to select the desired record mode: Lockout or Crash.

SLOMO	<p>Press the [TBAR] (or [WHEEL]) softkey to select the T-bar or wheel for slomo.</p> <p>For T-bar: The T-bar has a speed range of 0 → 2x with a detent at 1x play speed OR a range of 0 → 1x (detent at 1x play speed).</p> <p>Press [SPD-RNG] softkey to toggle between SLOMO speed ranges: 0 → 1x OR 0 → 2x.</p> <p>Press [BACK] softkey to return to SLOMO MENU.</p> <p>Press [ESC] to exit OR turn the Wheel to select another item.</p> <p>For Wheel: Press the [PRSET] softkey to toggle between UPDATE and STATIC modes.</p> <p>UPDATE: When exiting SLOMO mode, the last used speed is saved in the Preset Speed register.</p> <p>STATIC: The Preset Speed register is NOT updated when exiting SLOMO mode. It is only changed by [SHIFT] + [SLOMO] (PRESET SLOMO).</p> <p>Press [SPD-RNG] softkey to toggle between SLOMO speed ranges: 0 → 2x OR -1 → 2x.</p>
RECALL MODE	<p>Press [NORMAL] or [REDIR] (redirect).</p> <p>NORMAL- The cue point will load on the learned VTR.</p> <p>REDIR- When one and only one clip is learned into a Cue Point, the Clip will be REDIRECTED to load On the currently selected VTR.</p>
GANG MODE	<p>[PERM] Permanent Gang – The GANG can be created and undone only with the [GANG] softkey.</p> <p>[TEMP] Temporary Gang – The Gang is created by pressing [GANG] softkey, then selecting the VTRs to gang/ungang. Quickly undo the GANG by pressing any VTR key.</p> <p>Video Reference must be connected for frame accurate playout of ganged channels.</p>
DISK PREROLL	See Disk Preroll Setup Chart
PLAY PREROLL	See Disk Preroll Setup Char
RECORD DELAY	Enter delay value (used by Capture function)
PREROLL	Enter preroll value.

DESTINATION	Select [VTR1, 2, 3, 4, 5, 6, 7 or 8] to be the destination (Recorder) channel for Capture function.
SERVICE	<p>[DEFAULTS] [CLEANUP] [BACK]</p> <p>DEFAULTS Set ST400 to factory defaults. Follow the prompts on the display. Press [YES] to continue or press [NO] to exit without changing ST400.</p> <p>CLEANUP Clears all cue points in all banks. Follow the prompts on the display.</p> <p>BACK Return to prior menu item.</p>

DISK PREROLL SETUP CHART		
Server	Menu Settings	
	Disk Preroll	Play Preroll
360 systems	V1	10 frames
Avid Airspeed	OFF	8 frames
Doremi	V2	16 frames
EVS XT	V1	2 frames
GV PDR, XP	V2	40 frames
GV K2	V2	10 frames
GV M-series, Turbo	V2	20 frames
Leitch NX400	OFF	11 frames
Leitch NX3600, NX4200	OFF	6 frames
Omneon	V1	20 frames

19. FUNCTION TABLE

Function	Key Press	Description
CUE TO OUT POINT	[CUE OUT]	If OUT point is marked, cue to the OUT point.
FFWD	[FFWD]	Press and hold to FFWD. Release key to stop. Set WIND SPEED in MENU.
GO TO ENTERED TIME	[SHIFT] + [RECUE]	To search, manually enter the desired time on the ST400's numeric keypad. Press [ENTER] or [RECUE].
GANG SETUP	[GANG]	Individually press the VTR keys to be included in the gang. The LED above the key will turn on. Press the VTR key again to remove from gang; the LED above the key will turn off. Press [ESC] to exit. Upon exiting, all members of the gang will have their VTR LEDs turned on. The flashing LED shows which VTR is currently selected.
JOG	[JOG]	Select JOG mode and enable Wheel.
LAST CUE	[LAST]	Step to the previous Cue Point Location.
NEXT CUE	[NEXT]	Step to the next Cue Point Location.
RECORD	[REC]	Places VTR into the Record mode selected by RECORD MODE in the SETUP MENU. Press [RECORD] or [RECORD] + [PLAY].
REWIND	[RWD]	Press and HOLD to rewind. Release key to stop. Set WIND SPEED in MENU.
SHUTTLE	[SHUTTLE]	Select SHUTTLE mode and enable Wheel.
SLOMO	[SLOMO]	Press [SLOMO] to slo-mo the VTR. Turn the Wheel (or move the T-bar, if available) to change the play speed. Press [SLOMO] to STILL frame OR press any transport key to exit SLOMO.
STOP	[STOP]	Press once to STILL frame VTR. Press again to put VTR into STOP mode.
TIME MODE SELECT	[TIME MODE]	Press to toggle between Timecode (TC), VITC (VT) or Tape Timer (TM) display modes on a VTR and between Remaining Time (RT) and Elapsed Time (ET) on a Video Server.

PLAY	[PLAY]	If an OUT point is marked, play to the OUT point and stop. If no OUT point is marked, play normally. If the clip ID ends with an "*", the clip will loop continuously.
RECUE	[RECUE]	If the IN point is marked, cue to the IN point
REALIGN GANGED CHANNELS	[SHIFT] + [STOP]	Search ganged channels to the appropriate time to resynchronize them.
STEP 1 FRAME FORWARD	[SHIFT] + [FFWD]	Moves the video forward by 1 frame.
STEP 1 FRAME BACK	[SHIFT] + [REWIND]	Moves the video back by 1 frame.
LOOP	{LOOP ENABLE}	Plays the currently loaded clip in a continuous loop.
REVERSE PLAY	[REV]	For T-bar only – hold key to play video in reverse. Release to play forward. (Slomo function)

20. TROUBLESHOOTING

ST420 TROUBLESHOOTING

- a. All Shotkeys are RED - No communication with the ST400.
- b. All Shotkeys are DARK - No communication between the ST400 and the Video Server.
- c. Set the ST420 version to match the ST400:

On the ST420 V4.02, V4.03, V4.12, V4.13:

- 1) Press **[SHIFT] + [STOP] + [PLAY]**.
The key that displays the current version is RED.
- 2) The ST420 displays:
“ST300/400 SELECT”
[ST300 V2.X]
[ST300 V3.X]
[ST400 2044CL-O]
[ST400 2044CL-L]
- 3) Press the **[ST400 2044CL-L]** key for communication with the ST400.

On the ST420 V4.04, V4.14 and above:

- 1) Press **[SHIFT] + [STOP] + [PLAY]**.
The key that displays the current version is RED.
- 2) The ST420 displays:
“ST300/400 SELECT”
[ST300 V2.X]
[ST300 V3.X]
[ST400 V4.X – V5.20]
[ST400 V5.30 and up]
- 3) Press a key that corresponds to the version of the ST400 that you are using.

21. SPECIFICATIONS

a. ST400

Power:	90 VAC to 265 VAC adapter supplied with IEC connector APX Model #AP4108 +5v @ 4A, +12v @ 1.0A, -12V @ 0.6A	
Size:	[L" x W" x H"] 12 3/4" x 8" x 1 3/4" (front) 3 5/8" (rear) [8 5/8" high to top of display]	
Weight:	10 lbs.	
Rear Panel Connectors:	VTR1, 2, 3, 4, 5, 6 GPI Power SHOTBOX PBIO Keyboard Ref. Video In Ground	(All DB9F) (DBF25F) (DB9M) (DB9F) (DB9F) (6-pin mini DIN) (BNC) Threaded stud
Display:	Easy to read, back-lit LCD display	
Jog/Shuttle Wheel:	With mechanical detents	

RS422 SERIAL CONNECTOR

9-Pin D-Type, Female (DB9F)

Pin #	1	Frame Ground	6	Receive Common
	2	Receive A ←	7	Receive B ←
	3	Transmit B →	8	Transmit A →
	4	Transmit Common	9	Frame Ground
	5	Spare		

POWER CONNECTOR

9-Pin D-Type, Female (DB9M)

Pin #	1	+5v DC	6	+5 VDC
	2	+5v DC	7	Ground
	3	Ground	8	Ground
	4	+12 VDC	9	Ground
	5	-12 VDC		

GPI IN/OUT CONNECTOR 26-Pin D-Type, Female (D26HDF)

Pin #	OUT	IN/ Function	Pin #	OUT	IN/ Function
1	OUT	GPO 0 – No function	14	IN	LAST CUE
2	OUT	GPO 1 – No function	15	IN	RECALL CUE
3	OUT	GPO 2 – No function	16		No Function
4	OUT	GPO 3 – No function	17		No Function
5	OUT	GPO 4 – No function	18		Ground
6	OUT	GPO 5 – No function	19		+5V
7	OUT	GPO 6 – No function	20		+5V
8	OUT	GPO 7 – No function	21		No Connection
9		Ground	22		No Connection
10	IN	PLAY	23		No Connection
11	IN	STOP	24		No Connection
12	IN	RECUE	25		No Connection
13	IN	NEXT CUE	26		Ground

b. ST420 (SHOTBOX)

Power: 90 VAC to 265 VAC adapter supplied with IEC connector
AULT Model #SW300
+5v @ 3.5A, +12v @ 2A, -12v @ 0.8A

Size: [L" x W" x H"] 11.5" x 6.5" x 1.75" (front) 3.5" (rear)

Weight: 4 lbs.

Rear Panel Connectors: Out (DB9F)
GPI (DBF15F)
Power (DB9M)
Aux (DB9F)

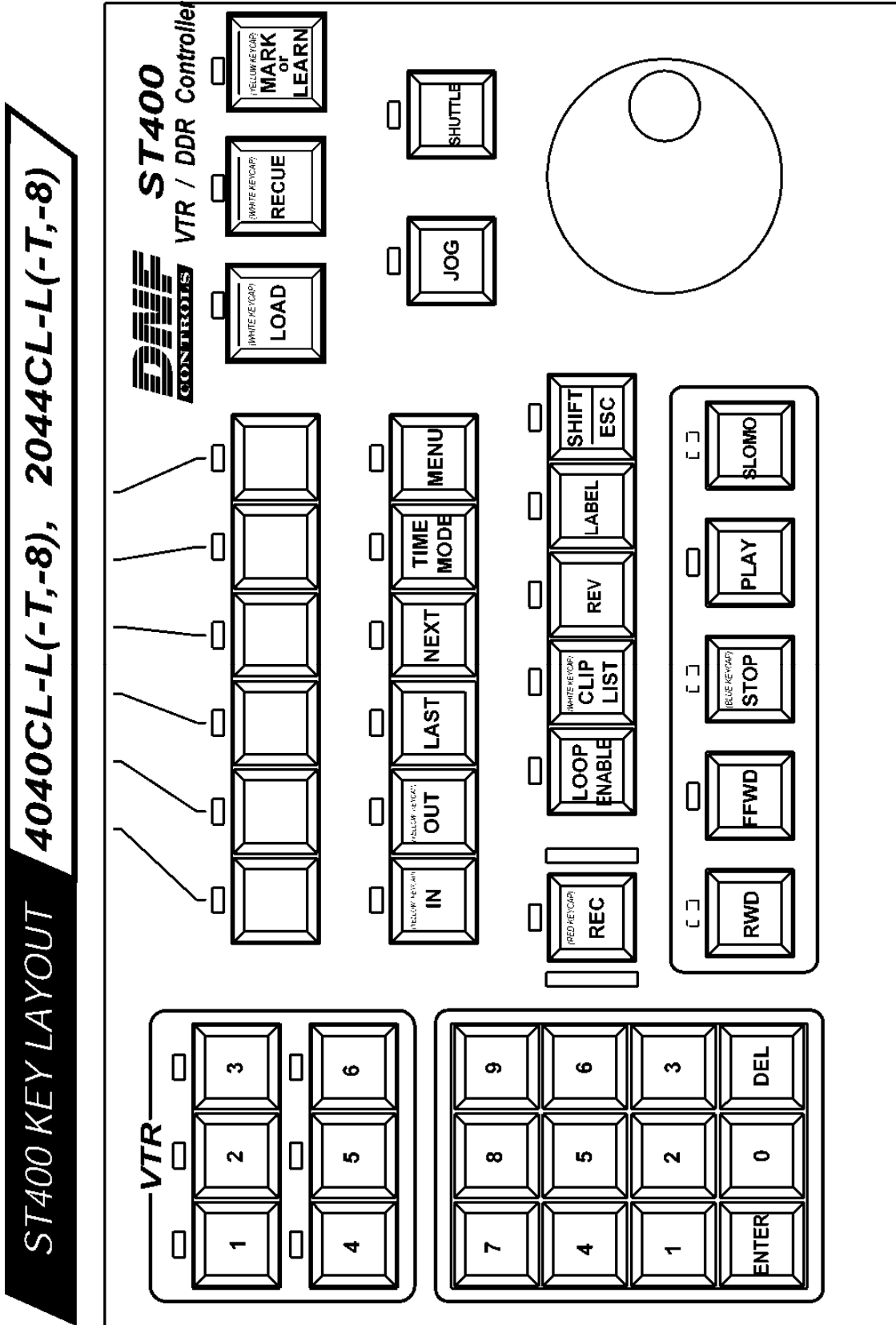
RS422 SERIAL CONNECTOR 9-Pin D-Type, Female

Pin #	1	Frame Ground	6	Transmit Common
	2	Transmit A →	7	Transmit B →
	3	Receive B ←	8	Receive A ←
	4	Receive Common	9	Frame Ground
	5	Spare		

POWER CONNECTOR 9-Pin D-Type, Male

Pin #	1	+5v DC	6	No Connection
	2	+5v DC	7	Ground
	3	Ground	8	Ground
	4	No Connection	9	Ground

22. KEY LAYOUT



23. DNF CONTROLS LIMITED WARRANTY

DNF Controls warrants its product to be free from defects in material and workmanship for a period of one (1) year from the date of sale to the original purchaser from DNF Controls.

In order to enforce the rights under this warranty, the customer must first contact DNF's Customer Support Department to afford the opportunity of identifying and fixing the problem without sending the unit in for repair. If DNF's Customer Support Department cannot fix the problem, the customer will be issued a Returned Merchandise Authorization number (RMA). The customer will then ship the defective product prepaid to DNF Controls with the RMA number clearly indicated on the customer's shipping document. The merchandise is to be shipped to:

DNF Controls
12843 Foothill Blvd., Suite D
Sylmar, CA 91342
USA

Failure to obtain a proper RMA number prior to returning the product may result in the return not being accepted, or in a charge for the required repair.

DNF Controls, at its option, will repair or replace the defective unit. DNF Controls will return the unit prepaid to the customer. The method of shipment is at the discretion of DNF Controls, principally UPS Ground for shipments within the United States of America. Shipments to international customers will be sent via air. Should a customer require the product to be returned in a more expeditious manner, the return shipment will be billed to their freight account.

This warranty will be considered null and void if accident, misuse, abuse, improper line voltage, fire, water, lightning or other acts of God damaged the product. All repair parts are to be supplied by DNF Controls, either directly or through its authorized dealer network. Similarly, any repair work not performed by either DNF Controls or its authorized dealer may void the warranty.

After the warranty period has expired, DNF Controls offers repair services at prices listed in the DNF Controls Price List. DNF Controls reserves the right to refuse repair of any unit outside the warranty period that is deemed non-repairable.

DNF Controls shall not be liable for direct, indirect, incidental, consequential or other types of damage resulting from the use of the product.

###