



12843 Foothill Blvd. Suite C
Sylmar, California 91342
V: 818.898.3380
F: 818.898.3360
sales@dnfcontrols.com

Model No. 4000CL-MAV (&4000CL-MAV-T)

250 CLIP FAST ACCESS SYSTEM

Sony DP Protocol
for SONY MAV-555 Video Servers

NOTE: Supports up to 4 Video Server Channels

USER MANUAL

Table of Contents

1. REVISION HISTORY	3
<i>GETTING STARTED . . .</i>	<i>4</i>
2. SYSTEM DESCRIPTION	4
DEFINITIONS	4
3. SYSTEM INSTALLATION	4
ST300-S/SM, VTR/DDR CONTROLLER	4
4. VIDEO SERVER SETUP	6
5. LOAD A CLIP	6
6. LEARN ON THE ST300	6
7. RECALL ON THE ST300	7
<i>ADVANCED FEATURES . . .</i>	<i>8</i>
8. CREATE NEW CLIPS	8
9. LOOP A CLIP	8
10. SETTING THE IN (OUT) POINT	9
a. MARKING THE IN (OUT) POINT	9
b. VIEW THE IN (OUT) POINT	9
c. CLEARING AN IN (OUT) POINT	9
11. TRIM CLIPS	9
12. VIEW CONTENTS OF CUE POINT	10
13. TRANSFERRING CUELIST	10
a. TRANSMIT CUE LIST FUNCTION	10
b. RECEIVE CUELIST FUNCTION	11
<i>REFERENCE . . .</i>	<i>12</i>
14. SETUP MENU	12
15. FUNCTION TABLE	14
16. SPECIFICATIONS	15
ST300	15
RS422 SERIAL CONNECTOR	15
POWER CONNECTOR	15
AUX CONNECTOR (PBUS IN) RS422 SERIAL CONNECTOR	15
GPI IN/OUT CONNECTOR	16
17. KEY LAYOUT	17
18. DNF CONTROLS LIMITED WARRANTY	18

Manual Version..... 2.6 080604
Document No..... 4000CL-MAV_User_Manual.doc

1. REVISION HISTORY

112503 Rev. 3.3	Company header information revised. Reformatted. Updated Transmit Cue List Function and Receive Cue List Function description. Added DNF Controls Limited Warranty.
120903 Rev. 3.4	Added LOOP A CLIP Section. Revised TRIM A CLIP Section. Added Video Sync, Video Standard, Recall Menu Options.
020504 Rev. 3.5	Added note to cover: Supports up to 4 Video Server Channels.
080604 Rev. 3.6	Added T-bar dimension.

Getting Started . . .

2. SYSTEM DESCRIPTION

- ❑ Instantly load a video clip at the press of a button.
- ❑ Instantly load a FILL clip & KEY clip at the press of ONE button, then play out both channels in sync. LOOP up to 4 channels.
- ❑ Control up to 4 video channels individually or ganged.

DEFINITIONS

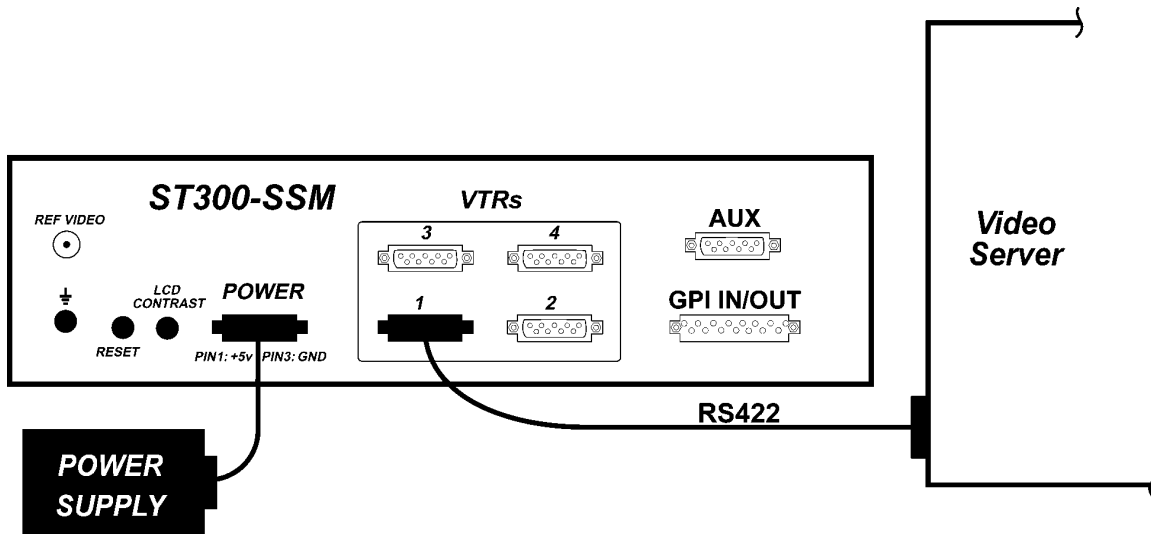
- ❑ Throughout this document, “Video Server” refers to the MAV-555.
- ❑ The ST300-S/SM as the ST300.
- ❑ Words surrounded by brackets, for example, [ENTER], are keys on the ST300. [XXX] + [XXX] means hold the two keys down simultaneously.
- ❑ “Softkeys” are the row of keys directly below the display that perform multiple functions in MENU and other modes.

3. SYSTEM INSTALLATION

ST300-S/SM, VTR/DDR CONTROLLER

- a) Plug one end of a 9-conductor, RS422 serial cable into the 9-pin connector (VTR 1, 2, 3 or 4) on the rear of the ST300. Plug the other end of the cable into the 9-pin REMOTE connector on the Video Server.
- b) Connect the +5, +12, -12 VDC POWER SUPPLY into the POWER connector on the rear of the ST300. Plug the Power Supply into an outlet, 90 VAC to 240 VAC.
- c) Check SETUP MENU prior to using the ST300 to confirm proper Record mode and other User settable modes.

CONNECTION DIAGRAM



4. VIDEO SERVER SETUP

- a. The SONY MAV unit must have the following or higher software versions: V1.1
- b. Clips loaded from the front panel of the MAV will not be displayed on the ST300.
- c. SETUP MENU/RECORD MODE. Crash and Lockout are the only modes supported.

5. LOAD A CLIP

- a. Select VTR. Connection must be to the Player port in order to load existing clips.
- b. Press **[CLIP LIST]**. The CLIP LIST indicator will turn on. The display prompts: “WHEEL-scroll files, ENTER-enter file ID”
- c. Turn the Wheel to scroll through the list of available CLIPs.
OR
ENTER a numeric file ID, using the numeric keypad.
- d. Press **[LOAD]** to load the desired clip.
- e. Repeat steps a - d until clips are loaded into the desired VTRs.
Set the GANG mode, if required. (Refer to the Function Table for Details.)
- f. Press **[ESC]** at anytime to exit CLIP LIST.

6. LEARN ON THE ST300

- a. LOAD a clip as described above on the ST300.
- b. Set IN and OUT points if desired.
- c. Select the desired Cue Point by pressing **[NEXT CUE]**, **[LAST CUE]**.
OR
By manually entering the Cue Point using the numeric keypad.
The selected Cue Point number is shown on the bottom line of the display.
- d. Press **[SHIFT]** + **[MARK]** to initiate the LEARN.
The ST300 will save loaded CLIP ID and current IN time to the selected Cue Point. The display shows:

Select VTR: Mark-Learn, ESC-Cancel

- e. Press VTR[1], VTR[2], VTR[3] or VTR[4] to select the VTRs.
- f. Press **[MARK]**. The ST300 will: LEARN (save) the current configuration, which consists of: Cue Point, CLIP IDs, In Times and Ganged VTRs.

7. RECALL ON THE ST300

- a. Select the desired Cue Point by pressing [**NEXT CUE**], [**LAST CUE**].
OR

By manually entering the Cue Point using the numeric keypad.

The selected Cue Point number is shown on the bottom line of the display.

- b. Press [**LOAD**] on the ST300. The ST300 will automatically load the LEARNED clip on the selected VTR and cue the clip to the LEARNED time.

Advanced Features . . .

8. CREATE NEW CLIPS

NOTE: Record duration must be set BEFORE creating a new clip.

a. Press **[SHIFT] + [RECORD]**.
The first line of the display shows current record duration.
The second line of the display prompts “Enter record length.”

b. Enter the desired record length using numeric keypad.

b. Press **[ENTER]** to save the entered time and exit.

OR

Press **[ESC]** to exit without saving.

NOTE: Default record duration is 30 minutes.

d. Select VTR. Connection must be to the Recorder port on MAV-555 to create a clip.

e. Press **[CLIP LIST]**. The CLIP LIST indicator will turn on. The display prompts:
The display will show: “Enter New File Name.”

f. Enter numeric CLIP ID up to 8 characters using the numeric keypad.

g. Press **[LOAD]** to create the selected CLIP ID.

OR

Press ESC to exit at anytime.

NOTE: The only functions available for new clips are RECORD and STOP. In order to playback a newly recorded clip, you must reload it on a Player port.

9. LOOP A CLIP

a. Load a clip on the desired channel.

b. Press **[LOOP ENABLE]** key. The clip starts looping.

c. Press **[STOP]** to stop looping a clip.

10. SETTING THE IN (OUT) POINT

a. MARKING THE IN (OUT) POINT

- 1) Press **[IN]** (**[OUT]**). The IN (OUT) indicator turns on.
The display shows: "IN (OUT) xx:xx:xx:xx," where xx:xx:xx:xx is the saved time.

OR

Press **[SHIFT]** + **[IN]** (**[OUT]**) to manually enter a new IN (OUT) time.

- 2) Press **[ENTER]** to save the entered time.
OR

Press **[ESC]** to exit without saving.

NOTE: When manually entering **IN** and **OUT** points, they are always marked based on tape time, not LTC, no matter what time mode is selected.

b. VIEW THE IN (OUT) POINT

- 1) When the IN (OUT) indicator is on,
Press **[IN]** (**[OUT]**) to view the existing IN (OUT) Point.
- 2) While viewing the IN (OUT) Point:
Press **[MARK]** to overwrite the saved time with the current time.
Press **[RECUE]** to search to the IN (OUT) point.

c. CLEARING AN IN (OUT) POINT

Press and hold **[DEL]** then press and release **[IN]** (**[OUT]**).
The IN (OUT) indicator turns off.

11. TRIM CLIPS

- a) **LOAD** the clip to be trimmed.
- b) Mark IN and OUT points as described above.
- c) Press **[SHIFT]** + **[CLIPLIST]**. The display prompts "Enter new file name."
- d) Enter new file name (up to 8 characters) using the numeric keypad.
- e) Press **[ENTER]** or **[LOAD]** to save the new CLIP ID.
OR

Press **[ESC]** to exit without saving.

If the saving is successful, the new clip is created. The beginning of the clip is the marked IN point and the end of the clip is the OUT point. The new clip can be loaded using the CLIP LIST function. Upon saving the new clip, marked IN and OUT points are cleared.

NOTE: Do not create trimmed clips with a duration of less than 18 frames.

12. VIEW CONTENTS OF CUE POINT

- a. Use [NEXT CUE] or [LAST CUE] to access Cue Point.
Contents loaded at this Cue Point (CLIP ID) will be displayed.
OR
- b. Use numeric keypad to enter Cue Point number.
Press [ENTER].
Contents are displayed.

13. TRANSFERRING CUELIST

a. TRANSMIT CUE LIST FUNCTION

The TRANSMIT CUELIST function allows you to transmit your list of Cue Points to a PC, using the provided utility software on the PC, or to another ST300. Transfer to a PC requires OpSuite 3.0 software, which runs on a Windows-based computer. Contact DNF Controls for more information.

1) TO TRANSMIT CUE POINTS TO THE ST300

- a) Connect the VTR4 connector on the rear of the ST300 to the VTR4 connector of the receiving ST300, using an RS422 9-pin cable with TX and RX lines crossed.
(A “turnaround” cable)
- b) Press [MENU] and scroll the wheel to “Transmit CUE List?
YES=Enter, Exit=ESC.”
- c) Press [ENTER] to start transmitting. The Display shows “Waiting to transmit.”
- d) When the Receiver is ready, transfer starts automatically.
The Display now shows “Transmitting cue list.”
- e) After the transfer is over, the display shows “Transfer is over” for one second, then shows “Waiting to transmit” again.
- f) Connect another ST300 to transmit the list again.
OR

Press [ESC] twice to exit.

2) TO TRANSMIT CUE POINTS TO THE PC

- a) Connect the VTR4 connector on the back of the ST300 to one of the COM ports on the PC using a RS422 to RS232 adapter.
- b) Repeat steps b-f of the TO TRANSMIT CUE POINTS TO THE ST300 section.

b. RECEIVE CUELIST FUNCTION

The RECEIVE CUELIST function allows you to receive your list of Cue Points from a PC or from another ST300. Transfer to a PC requires OpSuite 3.0 software, which runs on a Windows-based computer. Contact DNF Controls for more information.

1) TO RECEIVE CUE POINTS FROM THE ST300

- a) Connect the VTR4 connector on the back of the ST300 from the VTR4 connector of the transmitting ST300 using RS422 9-pin cable with TX and RX lines crossed. (A “Turnaround” Cable)
- b) Press [MENU] and scroll the wheel to “Receive CUE List? YES=Enter, Exit=ESC.”
- c) Press [ENTER] to start receiving. The Display shows “Waiting to receive.”
- d) When the Transmitter is ready, transfer starts automatically. The Display now shows “Receiving cuelist.”
- e) After the transfer is over the display shows “Done-Success! Press any key...”
- f) Press any key. The display shows “Receive cuelist?” message.
- g) Press [ESC] to exit the MENU mode.

2) TO RECEIVE CUE POINTS FROM THE PC

- a) Connect the VTR4 connector on the back of the ST300 to one of the COM ports on the PC using RS422 to RS232 adapter.
- b) Repeat steps b-g of the TO RECEIVE CUE POINTS FROM THE ST300 section.

Reference . . .

14. SETUP MENU

Press [MENU]. The MENU indicator will turn on.

Turn the Wheel to select item to change.

Press [MENU] OR use the Softkeys to change the desired mode for that option.

Turn the Wheel at anytime to select another item.

Press [ESC] at anytime to exit SETUP MENU. The MENU indicator will turn off.

<u>MENU MODES</u>	(Turning Wheel Clockwise)												
RECORD	Press [MENU] to select the desired record mode: Lockout, Crash (Full).												
WIND MODE	<p>Press Softkey to select: HOLD (Fast wind is maintained only while key is depressed.) OR LATCH (Fast wind is initiated and maintained with momentary key press.)</p> <p>Select fast wind speed (3.9 to 23.7) by pressing Softkey below SPD.</p>												
SLOMO	<table border="1" style="width: 100%;"> <tr> <td>ST300 display shows: (Non T-Bar version)</td> <td style="text-align: right;">SLOMO with:</td> <td style="text-align: right;">WHEEL</td> </tr> <tr> <td></td> <td style="text-align: right;">SpdRange</td> <td style="text-align: right;">Preset</td> </tr> </table> <table border="1" style="width: 100%;"> <tr> <td>ST300 display shows: (T-Bar version)</td> <td style="text-align: right;">SLOMO with:</td> <td style="text-align: right;">TBAR</td> </tr> <tr> <td></td> <td style="text-align: right;">Wheel SpdRange</td> <td style="text-align: right;">Preset</td> </tr> </table> <p>NOTE - The T-BAR has a fixed speed range of 0 → +200 with a detent at +100 % play speed.</p> <p>Press Softkey [TBAR] (or [WHEEL]) to toggle between them.</p> <p>For Wheel only: Press Softkey [SPDRANGE] to select SLOMO speed ranges. Press Softkey to select: 0 → +200 OR -100 → +200. Press Softkey [BACK] to return to SLOMO MENU.</p> <p>Press [ESC] to exit OR turn the Wheel to select another item.</p> <p>For Wheel only: Press Softkey [PRSET] to select the SLOMO Preset Speed Mode.</p> <p>Press Softkey [UPDATE]. When exiting SLOMO mode, the last used speed is saved in the Preset Speed register.</p> <p>Press Softkey [STATIC]. The Preset Speed register is NOT updated when exiting SLOMO mode. It is only changed by [SHIFT] + [SLOMO] (PRESET SLOMO).</p>	ST300 display shows: (Non T-Bar version)	SLOMO with:	WHEEL		SpdRange	Preset	ST300 display shows: (T-Bar version)	SLOMO with:	TBAR		Wheel SpdRange	Preset
ST300 display shows: (Non T-Bar version)	SLOMO with:	WHEEL											
	SpdRange	Preset											
ST300 display shows: (T-Bar version)	SLOMO with:	TBAR											
	Wheel SpdRange	Preset											

ST300 SETUP	<div data-bbox="688 113 1146 228" style="border: 1px solid black; padding: 5px; margin: 10px auto; width: fit-content;"> <p style="text-align: center;">ST300 SETUP</p> <p style="text-align: center;">Clear Cues SetDefault</p> </div> <p>Press Softkey beneath ClearCues to clear all Cue Points to 00:00:00:00. Press Softkey [YES] when asked “Are You Sure?”</p> <p>Press Softkey beneath SetDefault to set ST300 to default settings. Press Softkey [YES] when asked “Are You Sure?”</p>
DISPLAY SOFTWARE VERSION	The version number for the currently installed software is displayed.
SYNC ON/OFF	Set to ON if black burst is supplied to the Ref Video connector on the rear panel. Set to OFF if no black burst is supplied.
VIDEO STANDARD	Sets Video Standard option to NTSC when [NTSC] is pressed. OR Sets Video Standard option to PAL when [PAL] is pressed.
RECALL NORMAL/REDIRECT	Press [NORMAL] or [REDIR] (redirect). NORMAL – The cue point will load on the learned VTR. REDIR – When one only one clip is learned into a Cue Point, the Clip will be REDIRECTED to load on the currently selected VTR.
RECORD	Press Softkey to select single button or 2-button record. RECORD = [REC] Only OR [REC] + [PLAY].
TRANSMIT CUELIST	Transmit cue list to another ST300 or to a PC.
RECEIVE CUELIST	Receive cue list from another ST300 or PC.

15. FUNCTION TABLE

Function	Key Press	Description
GOTO ENTERED TIME	[SHIFT] + [RECUE]	Search the VTR to the manually entered time. Use the ST300 numeric keypad. Press [ENTER] or [RECUE].
FFWD	[FFWD]	Press and HOLD to shuttle. Release key to stop. Set WIND Speed in MENU.
JOG	[JOG]	Select JOG mode and enable Wheel.
LAST CUE	[LAST CUE]	Step to the previous Cue Point Location.
NEXT CUE	[NEXT CUE]	Step to the next Cue Point Location.
RECORD	[REC]	Places VTR into the Record mode selected by RECORD MODE in the SETUP MENU. Press [RECORD] or [RECORD] + [PLAY].
REWIND	[RWD]	Press and HOLD to shuttle. Release key to stop. Set WIND Speed in MENU.
SHUTTLE	[SHUTTLE]	Select SHUTTLE mode and enable Wheel.
SLOMO	[SLOMO]	Press [SLOMO] to slo-mo the VTR. Turn the Wheel (or move the T-Bar if available) to change the play speed. Press SLOMO to STILL frame. OR Press any transport key to exit SLOMO.
SLO-MO SPEED PRESET	[SHIFT] + [SLOMO]	For WHEEL ONLY : Press [SHIFT] + [SLOMO] to preset the slo-mo speed. Turn the Wheel to select desired speed. Press [ESC] or any transport key to exit.
STOP	[STOP]	Press once to STILL frame VTR. Press again to put VTR into STOP mode.
GANG VTRs	[SHIFT] + [VTR #1] OR [SHIFT] + [VTR #2] OR [SHIFT] + [VTR #3] OR [SHIFT] + [VTR #4]	Press and Hold [SHIFT]. Then when lights go out, press VTR keys to include in the gang. Press [SHIFT] to escape gang setup mode. Flashing LED indicates a channel being monitored for status.
TIME MODE SELECT	[TIME MODE]	Press to toggle between Timecode (TC), VITC (VT) or Tape Timer (TM) display modes.
LOOP CLIP	[LOOP ENABLE]	Press to loop a clip.

16. SPECIFICATIONS

ST300

Power:	90 VAC to 265 VAC adapter supplied with IEC connector
Size:	(L" x W" x H") 12" x 6" x 1.5" (front) 3.0" (rear) (T-bar unit is 12.6" long)
Weight:	4 lbs.
Rear Panel Connectors:	VTR1, VTR2, VTR3, VTR4 ... All DB9F GPI..... DBF15F Power..... DB9M Aux DB9F
Display:	Easy to read 2-line, back-lit LCD display (User adjustable contrast)
Jog/Shuttle Wheel:	With mechanical detents
Optional "T"-bar:	Slo-mo 0-200% of Play Speed

RS422 SERIAL CONNECTOR

9-Pin D-Type, Female

Pin #	1	Frame Ground	6	Receive Common
	2	Receive A ←	7	Receive B ←
	3	Transmit B →	8	Transmit A →
	4	Transmit Common	9	Frame Ground
	5	Spar		

POWER CONNECTOR

9-Pin D-Type, Male

Pin #	1	+5v DC	6	+5 VDC
	2	+5v DC	7	Ground
	3	Ground	8	Ground
	4	+12 VDC	9	Ground
	5	-12 VDC		

AUX CONNECTOR (PBUS IN) RS422 SERIAL CONNECTOR

9-Pin D-Type, Female (DB9F)

Pin #	1	Frame Ground	6	Receive Common
	2	Receive A ←	7	Receive B ←
	3	Transmit B →	8	Transmit A →
	4	Receive Common	9	Frame Ground
	5	Spare		

GPI IN/OUT CONNECTOR

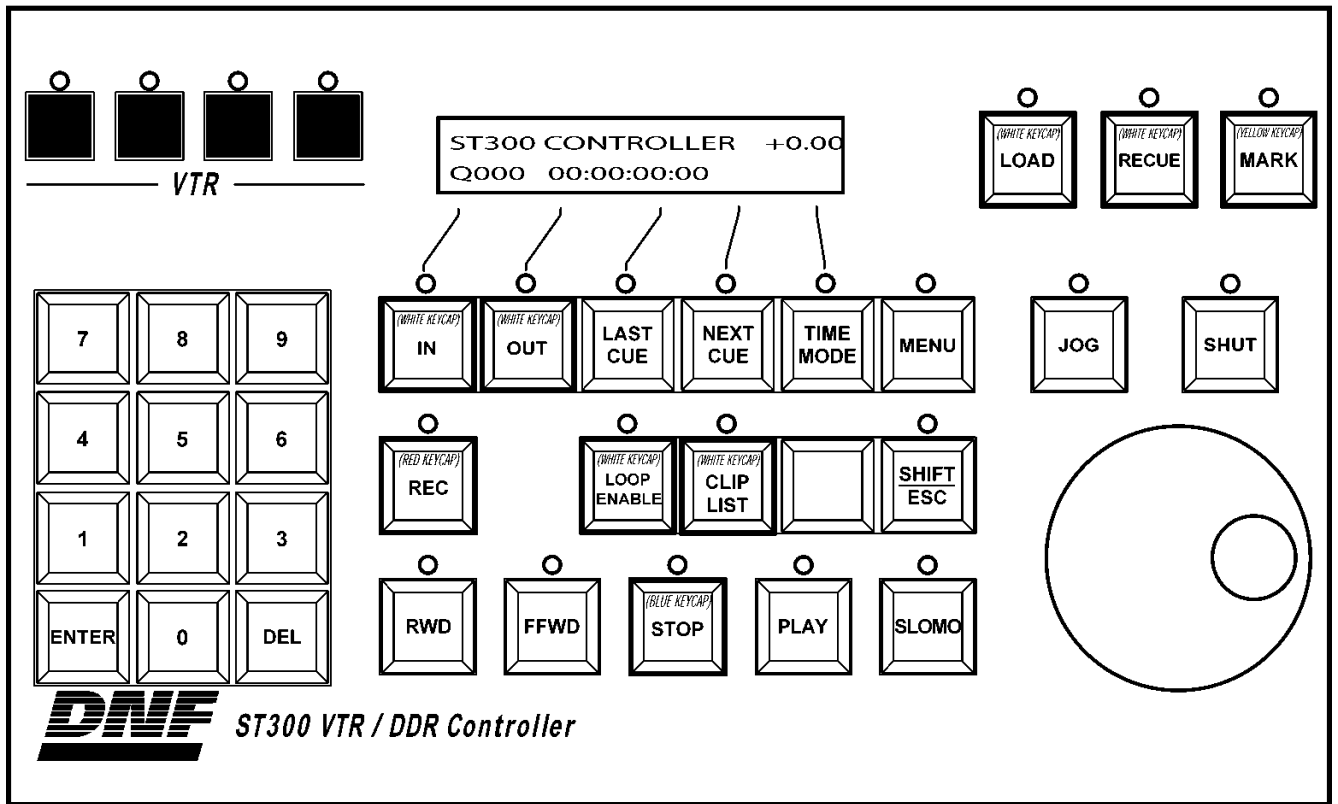
15-Pin D-Type, Female (DB15F)

Pin #	1	GPI 1 Out	Pin#	9	GPI 1 In – Play
	2	GPI 2 Out		10	GPI 2 In – Stop
	3	GPI 3 Out		11	GPI 3 In – Recue
	4	GPI 4 Out		12	GPI 4 In – Next cue
	5	GPI 5 Out		13	GPI 5 In – Last cue
	6	GPI 6 Out		14	GPI 6 In – Recall
	7	GPI 7 Out		15	GPI 7 In
	8	Ground			

17. KEY LAYOUT

ST300 KEY CONFIGURATION

4000CL-MAV (-T & -PBIO)



18. DNF CONTROLS LIMITED WARRANTY

DNF Controls warrants its product to be free from defects in material and workmanship for a period of one (1) year from the date of sale to the original purchaser from DNF Controls.

In order to enforce the rights under this warranty, the customer must first contact DNF's Customer Support Department to afford the opportunity of identifying and fixing the problem without sending the unit in for repair. If DNF's Customer Support Department cannot fix the problem, the customer will be issued a Returned Merchandise Authorization number (RMA). The customer will then ship the defective product prepaid to DNF Controls with the RMA number clearly indicated on the customer's shipping document. The merchandise is to be shipped to:

DNF Controls
12843 Foothill Blvd., Suite C
Sylmar, CA 91342
USA

Failure to obtain a proper RMA number prior to returning the product may result in the return not being accepted, or in a charge for the required repair.

DNF Controls, at its option, will repair or replace the defective unit. DNF Controls will return the unit prepaid to the customer. The method of shipment is at the discretion of DNF Controls, principally UPS Ground for shipments within the United States of America. Shipments to international customers will be sent via air. Should a customer require the product to be returned in a more expeditious manner, the return shipment will be billed to their freight account.

This warranty will be considered null and void if accident, misuse, abuse, improper line voltage, fire, water, lightning or other acts of God damaged the product. All repair parts are to be supplied by DNF Controls, either directly or through its authorized dealer network. Similarly, any repair work not performed by either DNF Controls or its authorized dealer may void the warranty.

After the warranty period has expired, DNF Controls offers repair services at prices listed in the DNF Controls Price List. DNF Controls reserves the right to refuse repair of any unit outside the warranty period that is deemed non-repairable.

DNF Controls shall not be liable for direct, indirect, incidental, consequential or other types of damage resulting from the use of the product.

###