



12843 Foothill Blvd. Suite C  
Sylmar, California 91342  
V: 818.898.3380  
F: 818.898.3360  
sales@dnfcontrols.com

# **Model 4000CL-O-KBIO (and 4000CL-O-K-T) 400 CLIP FAST ACCESS SYSTEM**

**WITH**

**ODETICS PROTOCOL**

**With**

**Keyboard Interface Option**

**VERSION 3.1 SOFTWARE**

**NOTE: SUPPORTS UP TO 4 VIDEO SERVER CHANNELS**

**USER MANUAL**

# Table of Contents

|   |           |
|---|-----------|
| <b>1. REVISION HISTORY</b>                              | <b>4</b>  |
| <b><i>GETTING STARTED . . .</i></b>                     | <b>5</b>  |
| <hr/>   |           |
| <b>2. SYSTEM DESCRIPTION</b>                            | <b>5</b>  |
| DEFINITIONS   | 5         |
| <b>3. SYSTEM INSTALLATION</b>                           | <b>6</b>  |
| ST300-S/SM, VTR/DDR CONTROLLER                          | 6         |
| <b>4. VIDEO SERVER SETUP</b>                            | <b>7</b>  |
| <b>5. LOAD A CLIP</b>                                   | <b>7</b>  |
| <b>6. VIEW THE CLIP ID OF THE CURRENTLY LOADED CLIP</b> | <b>8</b>  |
| <b>7. LEARN A CLIP OR CLIP COMBINATION</b>              | <b>8</b>  |
| <b>8. RECALL A CLIP OR CLIP COMBINATION</b>             | <b>8</b>  |
| <b>9. RECUE THE CURRENTLY LOADED CLIP</b>               | <b>9</b>  |
| <b>10. PLAY CLIP</b>                                    | <b>9</b>  |
| <b>11. LOOP CLIP</b>                                    | <b>9</b>  |
| <b>12. SETTING THE IN (OUT) POINTS</b>                  | <b>10</b> |
| a. MARKING THE IN (OUT) POINT                           | 10        |
| b. ENTERING THE IN (OUT) POINTS                         | 10        |
| c. VIEWING THE IN (OUT) POINTS                          | 10        |
| d. CLEARING THE IN (OUT) POINT                          | 10        |
| <b>13. BVW MODE</b>                                     | <b>10</b> |
| <b>14. LEARN A CLIP OR CLIP COMBINATION (BVW MODE)</b>  | <b>11</b> |
| <b>15. CREATE A CLIP</b>                                | <b>12</b> |
| <b>16. CAPTURE FUNCTION</b>                             | <b>12</b> |
| a. ENTER PREROLL VALUE                                  | 12        |
| b. EXECUTE CAPTURE FUNCTION                             | 13        |
| <b>17. TRANSFER CUE LIST</b>                            | <b>14</b> |
| a. TRANSMIT CUE LIST FUNCTION                           | 14        |
| b. RECEIVE CUE LIST FUNCTION                            | 15        |

***REFERENCE . . .*** **16**

---

|  |           |
|--|-----------|
| <b>18. SETUP MENU</b>                          | <b>16</b> |
| <b>19. FUNCTION TABLE</b>                      | <b>19</b> |
| <b>20. SPECIFICATIONS</b>                      | <b>21</b> |
| RS422 SERIAL CONNECTOR                         | 21        |
| POWER CONNECTOR                                | 21        |
| AUX CONNECTOR (PBUS IN) RS422 SERIAL CONNECTOR | 21        |
| GPI IN/OUT CONNECTOR                           | 22        |
| <b>21. KEY LAYOUT</b>                          | <b>23</b> |
| <b>22. DNF CONTROLS LIMITED WARRANTY</b>       | <b>24</b> |

**Manual Version..... 1.5 081004**  
**Document No..... 4000CL-O-KBIO\_Vs.3.1\_User\_Manual.doc**

# 1. REVISION HISTORY

|        |     |  |
|--------|-----|--|
| 081803 | 1.0 | Original document  |
| 112403 | 1.1 | Company header information revised.<br>Updated Transmit Cue List Function and Receive Cue List Function description.<br>Added DNF Controls Limited Warranty. |
| 010604 | 1.2 | Corrected Connection Diagram.  |
| 012304 | 1.3 | Changed Key Layout.  |
| 080404 | 1.4 | Added section: LEARN A CLIP OR CLIP COMBINATION (BVW MODE)   |
| 081004 | 1.5 | Added T-bar dimension.<br>Added note to cover: "Supports Up to 4 video Server Channels"  |

## *Getting Started . . .*

### **2. SYSTEM DESCRIPTION**

The 400 Clip Fast Access System consists of the ST300-SSM VTR Controller and Shotlist Software. The Video Server must support ODETICS Broadcast Protocol.

The SHOTLIST contains up to 400 CLIP IDs, and provides fast access to existing video clips stored in non-volatile memory in the ST300. Remotely view the CLIP IDs that exist in the Video Server under control.

Any clip in the SHOTLIST can be quickly loaded by simply entering the associated 3-digit number of its location, then pressing [**LOAD**]. Press [**PLAY**] to play the clip. Press [**RECUE**] to recue to the beginning of the clip.

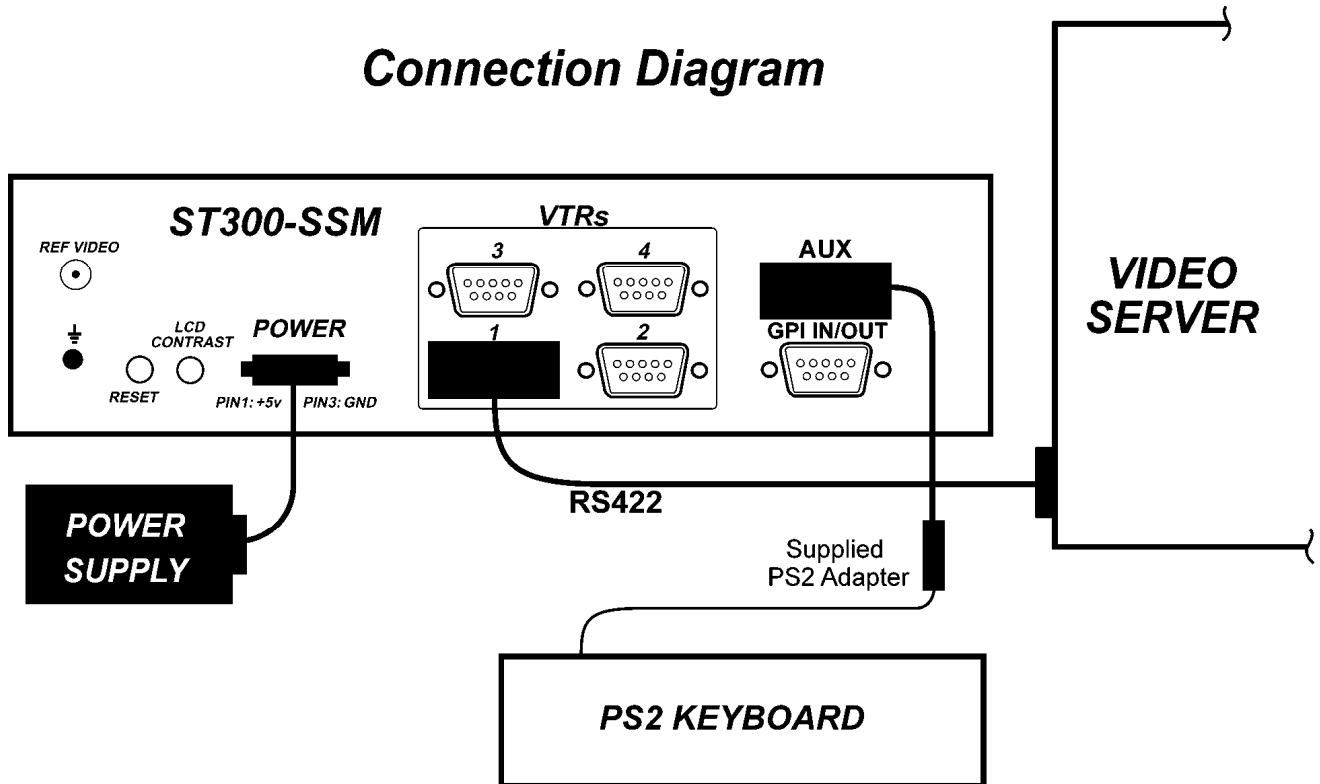
### **DEFINITIONS**

- ❑ Throughout this document VTR, DDR, VDR & Video Server will be referred to collectively as “Video Server.”
- ❑ The ST300-S/SM as the ST300.
- ❑ Words surrounded by brackets, for example, [**ENTER**], are keys on the ST300. [**XXX**] + [**XXX**] means hold the two keys down simultaneously.
- ❑ Words surrounded by brackets and shown in italics, for example [*ENTER*], are multi-function softkeys on the ST300.

### 3. SYSTEM INSTALLATION

#### ST300-S/SM, VTR/DDR CONTROLLER

- a. Plug one end of a 9-conductor, RS422 serial cable into the VTR 1 (2, 3 or 4) connector on the rear of the ST300. Plug the other end of the cable into the REMOTE connector on the Video Server.
- b. Connect the supplied POWER SUPPLY, APX #4108, into the POWER connector on the rear of the ST300. Plug the Power Supply into an outlet, 90 VAC to 240 VAC.
- c. Connect the 9-pin connector on the supplied KBIO adapter to the AUX connector on the rear of the ST300.
- d. Connect a standard PS2 keyboard to the PS2 connector on the supplied KBIO adapter.
- e. Check SETUP MENU prior to using the ST300 to confirm proper Record mode and other User settable modes.
- f. Select CONTROL MODE = ODETICS.  
(See menu description)



## 4. VIDEO SERVER SETUP

- a. Select ODETICS Broadcast communications protocol on the VIDEO SERVER to be controlled.
- b. Assign a serial port on the VIDEO SERVER through which the ST300 will control the server.

**NOTES:** The VIDEO SERVER may not support LTC or VITC time modes in ODETICS Broadcast mode. The ST300 will default to Tape Time if a non-supported time mode is selected on the ST300.

The Grass Valley Group PROFILE does **not** support search to a time location using Timecode (LTC or VITC) in ODETICS Protocol. Tape Time mode (TM) must be selected on the ST300.

In ODETICS Broadcast mode, the VIDEO SERVER may **ONLY** allow Full Record. INSERT and ASSEMBLE record modes may be disabled.

Setup is complete.

## 5. LOAD A CLIP

- a. Select a VTR by pressing VTR[1], VTR[2], VTR[3] or VTR[4].
- b. Press [CLIP LIST] to view the list of CLIP IDS that are resident on the Video Server. The CLIP LIST indicator will turn on.
- c. Turn the Wheel to view the existing CLIP IDs on the video server.

Turn the Wheel clockwise to scroll forward, or counter-clockwise to scroll backward, through the list of available CLIPS. Backward scrolling is limited to the last 10 CLIP IDs viewed.

**OR**

Manually enter a CLIP ID using the ST300 numeric keypad, or PC keyboard (if KBIO option).

- d. Press [LOAD] to load the selected CLIP ID for playback.
- e. Locate the clip to the desired IN time. Press [IN] to mark the IN time.
- f. Locate the clip to the desired OUT time. Press [OUT] to mark the OUT time.
- g. Repeat steps a.– f. until clips are loaded into the desired VTRs.
- h. Set the GANG mode, if required.

## 6. VIEW THE CLIP ID OF THE CURRENTLY LOADED CLIP

Press **[SHIFT]** + **[LOAD]**. The bottom line will show the name of the loaded clip.

## 7. LEARN A CLIP OR CLIP COMBINATION

- a. Load a clip(s) on the desired VTR(s). (See Section 5, “**LOAD A CLIP.**”)
- b. Select the desired Cue Point by pressing **[NEXT CUE]**, **[LAST CUE]** or by manually entering the Cue Point using the numeric keypad.

The selected Cue Point number is shown on the bottom line of the display.

- c. Press **[SHIFT]** + **[MARK]** to start the LEARN.  
The first line of the display will show “Select VTRs:”  
The second line of the display will show “Mark-Lrn, ESC-cancel.”
- d. Press **VTR[1]**, **VTR[2]**, **VTR[3]** or **VTR[4]** to select the VTR to be learned into the current Cue Point.

If the VTRs are ganged, select one VTR that is part of the Gang. The rest of the Gang will learn automatically.

- e. Press **[MARK]** to complete the LEARN.  
**OR**

Press **[ESC]** to exit without LEARNING.

The ST300 will: LEARN (save) the VTR Number (1,2,3,4), loaded CLIP ID and current IN & OUT time to the selected Cue Point.

## 8. RECALL A CLIP OR CLIP COMBINATION

- a. Select the desired Cue Point by pressing **[NEXT CUE]**, **[LAST CUE]** or by manually entering the Cue Point on the numeric keypad.

The selected Cue Point number is shown on the bottom line of the display.

- b. Press **[LOAD]**.

The ST300 will automatically load the Learned clips on the Learned VTRs, cue the clips to the Learned time, then set the Learned GANG mode. If **RECALL MODE**, in the Setup Menu, is set to **REDIR**, and a cue point contains only one clip, then the clip will be **REDIRECTED** to load on the currently selected VTR, not the Learned VTR.



## 9. RECUE THE CURRENTLY LOADED CLIP

Press **[RECUE]**. If an IN Point is marked (the IN indicator is on), the clip will RECUE to the IN Point.

If the IN point is not marked, the clip will RECUE to the start of the clip.

**OR**

Press **[SHIFT] + [RECUE]**.

a. Enter the desired time to search to using the ST300's numeric keypad.

b. Press **[ENTER]** to search to the entered time.

**OR**

Press **[ESC]** to exit without searching.

## 10. PLAY CLIP

a. Load a clip from Cliplist or Recall a learned clip.

b. Mark IN (OUT) points if desired (see Section 12, **SETTING THE IN (OUT) POINTS**).

c. Press **[PLAY]**.

The clip will play from the current point to the OUT point or, if no OUT point is marked, to the end of the clip.

If Autorecue Option is ON (see Setup Menu), the clip will recue to the IN point (or the beginning of the clip) once the OUT point (or the end of the clip) is reached.

## 11. LOOP CLIP

a. **LOAD** a clip from **CLIPLIST** or **RECALL** a learned clip.

b. Press **[LOOP ENABLE]** to loop a loaded clip. The **LOOP ENABLE** indicator will turn on. The second line of the display will show "Looping clip..."

c. Press **[STOP]** to stop the loop play.

**NOTE:**

If the clip ID ends with an asterisk ("\*"), it will automatically loop when either **[LOOP ENABLE]** or **[PLAY]** is pressed.

## 12. SETTING THE IN (OUT) POINTS

### a. MARKING THE IN (OUT) POINT

- 1) Locate the clip to the desired IN (OUT) time.
- 2) Press **[IN]** (**[OUT]**) to set the IN (OUT) Point. The IN (OUT) indicator will turn on.  
The display will show “IN (OUT) xx:xx:xx:xx” where xx:xx:xx:xx is the saved time.

### b. ENTERING THE IN (OUT) POINTS

- 1) Press **[SHIFT]** + **[IN]** (**[OUT]**) to manually enter a new IN (OUT) time.
- 2) Press **[ENTER]** to save the entered time or press **[ESC]** to exit without saving.

### c. VIEWING THE IN (OUT) POINTS

- 1) When the IN (OUT) indicator is on,  
Press **[IN]** (**[OUT]**) to view the existing IN (OUT) Point.
- 2) While viewing the IN (OUT) Point:  
Press **[MARK]** to overwrite the saved time with the current time.  
Press **[RECUE]** to search to the IN (OUT) point.

### d. CLEARING THE IN (OUT) POINT

Press and hold **[DEL]** then press and release **[IN]** (**[OUT]**).  
The IN (OUT) indicator goes off.

## 13. BVW MODE

If you wish to control a tape machine or a DDR with the 4000CL-O system, select control MODE=BVW (see Setup Menu section). In this mode, the media is accessed by timecode, not by clip names. The cuepoints in BVW mode consist only of IN point, OUT point and Gang information.

The following functions are not available in BVW mode:

- View Clip ID
- Recue Clip
- Loop Clip
- Capture
- Create Clip

All other functions work as described in the manual.

## 14. LEARN A CLIP OR CLIP COMBINATION (BVW MODE)

- a. Select the desired Cue Point by pressing [**NEXT CUE**], [**LAST CUE**], or by manually entering the Cue Point using the numeric keypad.

The selected Cue Point number is shown on the bottom line of the display.

- b. Locate the clip to the desired IN time. Press [**IN**] to mark the IN time.
- c. Locate the clip to the desired OUT time. Press [**OUT**] to mark the OUT time.
- d. Press [**SHIFT**] + [**MARK**] to start the LEARN.  
The first line of the display will show "Select VTRs:"  
The second line of the display will show "Mark-Lrn, ESC-cancel."

- e. Press VTR[**1**], VTR[**2**], VTR[**3**] or VTR[**4**] to select the VTR to be learned into the current Cue Point.

If the VTRs are ganged, select one VTR that is part of the Gang. The rest of the Gang will learn automatically.

- f. Press [**MARK**] to complete the LEARN.  
**OR**

Press [**ESC**] to exit without LEARNING.

The ST300 will: LEARN (save) the VTR number (1,2,3,4) and current IN & OUT time to the selected Cue Point.

## *Advanced Features . . .*

### **15. CREATE A CLIP**

- a. Press **[CLIP LIST]**. The CLIP LIST indicator turns on. The display will show “CREATE NEW CLIP.”
- b. Press **[LOAD]**. The display will show the default CLIP ID.
- c. Press **[LOAD]** to accept the default CLIP ID.  
**OR**

Use **[NEXT CUE]**, **[LAST CUE]** and Wheel to create a CLIP ID. Use the **[NEXT CUE]** and **[LAST CUE]** keys to position the cursor. Turn the Wheel to select the desired letter.

**OR**

Create an ID using the numeric keypad, with a maximum of eight characters. Press **[ENTER]**.

- c. Press **[LOAD]** to create the selected CLIP ID. If the selected CLIP ID already exists, a warning message will be displayed. To load the existing clip, press **[ENTER]**. Press **[ESC]** to exit without loading the existing clip.

### **16. CAPTURE FUNCTION**

The CAPTURE function allows source material from a VTR to be easily and quickly recorded into the VIDEO SERVER. A CLIP ID is also created.

VTR1 is always the Recorder (the VIDEO SERVER).

Select VTR[2], VTR[3] or VTR[4] as the source VTR. Any RS422, SONY protocol compatible VTR can be used.

Use the transport function keys to control the source VTR. Each source VTR needs its own set of IN and OUT points.

#### **a. ENTER PREROLL VALUE**

- 1) Press **[MENU]** and turn the Wheel to “Enter PREROLL:”
- 2) Enter the desired preroll value using the ST300’s numeric keypad.
- 3) Press **[ENTER]** to save the entered value **OR [ESC]** to exit without saving.

## **b. EXECUTE CAPTURE FUNCTION**

- 1) Press VTR[2], VTR[3], or VTR[4] to select the source VTR.
- 2) Set IN & OUT points as described in Section 11, “**SETTING THE IN (OUT) POINTS,**” on the Source VTR.
- 3) Press [SHIFT] + [RECORD]. The display will prompt you for a CLIP ID. A default CLIP ID will be shown.
- 4) Press [LOAD] to accept the default CLIP ID.  
**OR**

Use [NEXT CUE], [LAST CUE] and Wheel to edit the CLIP ID.

Use the [NEXT CUE] and [LAST CUE] keys to position the cursor.  
Turn the Wheel to select the desired letter.

- 5) Press [LOAD] to accept the CLIP ID.

The ST300 will create the new CLIP ID on the Video Server.

The Source VTR will preroll to the IN Point, then play.  
At the Source VTR's IN point, the RECORDER will go into record.

At the Source VTR's OUT point, the RECORDER will terminate record, post-roll for 2 seconds, then stop.

The Source VTR will search to the OUT point and stop. The OUT point will be cleared.

The IN indicator will stay on. The OUT indicator will turn off.

## 17. TRANSFER CUE LIST

### a. TRANSMIT CUE LIST FUNCTION

The TRANSMIT CUE LIST function allows you to transmit your list of Cue Points to a PC, using the provided utility software on the PC, or to another ST300. Transfer to a PC requires OpSuite 3.0 software, which runs on a Windows-based computer. Contact DNF Controls for more information.

#### 1) To Transmit Cue Points to Another ST300

- a) Connect the VTR4 connector on the rear of the ST300 to the VTR4 connector of the receiving ST300 using an RS422 9-pin cable with TX and RX lines crossed. (A “turnaround” cable.)
- b) Press [MENU].
- c) Scroll the Wheel until “Transmit CUE list? YES=Enter, Exit=ESC” is displayed.
- d) Press [ENTER] to start transmitting. The Display shows “Waiting to transmit” on the first line.
- e) When the Receiver is ready, transfer starts automatically. The Display now shows “Transmitting cuelist.”
- f) After the transfer is over, the display shows “Transfer is over” for one second and then shows “Waiting to transmit” again.
- g) Connect another ST300 to transmit the list again.  
**OR**

Press [ESC] twice to exit the MENU mode.

#### 2) To Transmit Cue Points to a PC

- a) Connect the VTR4 connector on the back of the ST300 to one of the COM ports on the PC using a RS422 to RS232 adapter.
- b) Repeat steps a) thru g) of “To Transmit Cue Points to Another ST300,” Section 16.a.1).

## **b. RECEIVE CUE LIST FUNCTION**

The RECEIVE CUELIST function allows you to receive a list of Cue Points from a PC or from another ST300. Transfer to a PC requires OpSuite 3.0 software, which runs on a Windows-based computer. Contact DNF Controls for more information.

### **1) To Receive Cue Points From Another ST300**

- a) Connect the VTR4 connector on the back of the ST300 from the VTR4 connector of the transmitting ST300 using RS422 9-pin cable with TX and RX lines crossed.  
(A "Turnaround" Cable)
- b) Press [MENU].
- c) Scroll the Wheel until "Receive CUE List? YES=Enter, Exit=ESC" is displayed.
- d) Press [ENTER] to start receiving.  
The Display shows "Waiting to receive" on the first line.
- e) When the Transmitter is ready, transfer starts automatically.  
The Display now shows "Receiving cuelist."
- f) After the transfer is over the display shows "Done-Success! Press any key..."
- g) Press any key. The display shows "Receive cuelist?" message.
- h) Press [ESC] to exit the MENU mode.

### **2) To Receive Cue Points From the PC**

- a) Connect the VTR4 connector on the back of the ST300 to one of the COM ports on the PC using RS422 to RS232 adapter.
- b) Repeat steps a) – h) of "**To Receive Cue Points From Another ST300**," Section 16.b.1).

## Reference . . .

### 18. SETUP MENU

Press [MENU]. The MENU indicator will turn on.

Turn the Wheel to select item to change.

Press [MENU] **OR** use the Softkeys to change the desired mode for that option.

Turn the Wheel at anytime to select another item.

Press [ESC] at anytime to exit SETUP MENU. The MENU indicator will turn off.

| <u>MENU MODES</u>                           | (Turning Wheel clockwise)  |   |  |                                  |               |                 |               |   |  |             |      |                                  |  |
|---|--|---|--|----------------------------------|---------------|-----------------|---------------|---|--|-------------|------|----------------------------------|--|
| <b>RECORD</b>                               | Press Softkey to select the desired record mode:<br>Assemble, Insert, Lockout or Crash (Full).   |   |  |                                  |               |                 |               |   |  |             |      |                                  |  |
| <b>WIND MODE</b>                            | Press Softkey to select:<br>HOLD (fast wind is maintained only while key is depressed).<br><b>OR</b><br>LATCH (fast wind is initiated and maintained with momentary key press).<br><br>Select fast wind speed (03.9X, etc.) by pressing Softkey.   |   |  |                                  |               |                 |               |   |  |             |      |                                  |  |
| <b>SLOMO</b>                                | <table border="1" style="width: 100%;"> <tr> <td>ST300 display shows<br/>(Non T-Bar version):</td> <td style="text-align: center;"> <table border="1" style="width: 100%;"> <tr> <td>SLOMO with:</td> <td style="text-align: right;">WHEEL</td> </tr> <tr> <td><b>SpdRange</b></td> <td style="text-align: right;"><b>Preset</b></td> </tr> </table> </td> </tr> <tr> <td>ST300 display shows<br/>(T-Bar version):</td> <td style="text-align: center;"> <table border="1" style="width: 100%;"> <tr> <td>SLOMO with:</td> <td style="text-align: right;">TBAR</td> </tr> <tr> <td><b>Wheel   SpdRange   Preset</b></td> <td></td> </tr> </table> </td> </tr> </table> <p><b>NOTE</b> - The T-BAR has a fixed speed range of 0 → +200 with a detent at +100% play speed.</p> <p><b>For Wheel only:</b><br/>Press Softkey [SPDRANGE] to select SLOMO speed ranges:<br/>Press Softkey to select: 0 → +200<br/><b>OR</b> -100 → +200.</p> <p>Press Softkey [BACK] to return to SLOMO MENU.</p> <p>Press [ESC] to exit MENU.<br/><b>OR</b><br/>Turn the wheel to select another item.</p> <p>(Continued on next page.)</p> | ST300 display shows<br>(Non T-Bar version): | <table border="1" style="width: 100%;"> <tr> <td>SLOMO with:</td> <td style="text-align: right;">WHEEL</td> </tr> <tr> <td><b>SpdRange</b></td> <td style="text-align: right;"><b>Preset</b></td> </tr> </table> | SLOMO with:                      | WHEEL         | <b>SpdRange</b> | <b>Preset</b> | ST300 display shows<br>(T-Bar version): | <table border="1" style="width: 100%;"> <tr> <td>SLOMO with:</td> <td style="text-align: right;">TBAR</td> </tr> <tr> <td><b>Wheel   SpdRange   Preset</b></td> <td></td> </tr> </table> | SLOMO with: | TBAR | <b>Wheel   SpdRange   Preset</b> |  |
| ST300 display shows<br>(Non T-Bar version): | <table border="1" style="width: 100%;"> <tr> <td>SLOMO with:</td> <td style="text-align: right;">WHEEL</td> </tr> <tr> <td><b>SpdRange</b></td> <td style="text-align: right;"><b>Preset</b></td> </tr> </table>   | SLOMO with:                                 | WHEEL  | <b>SpdRange</b>                  | <b>Preset</b> |                 |               |   |  |             |      |                                  |  |
| SLOMO with:                                 | WHEEL  |   |  |                                  |               |                 |               |   |  |             |      |                                  |  |
| <b>SpdRange</b>                             | <b>Preset</b>  |   |  |                                  |               |                 |               |   |  |             |      |                                  |  |
| ST300 display shows<br>(T-Bar version):     | <table border="1" style="width: 100%;"> <tr> <td>SLOMO with:</td> <td style="text-align: right;">TBAR</td> </tr> <tr> <td><b>Wheel   SpdRange   Preset</b></td> <td></td> </tr> </table>   | SLOMO with:                                 | TBAR   | <b>Wheel   SpdRange   Preset</b> |               |                 |               |   |  |             |      |                                  |  |
| SLOMO with:                                 | TBAR   |   |  |                                  |               |                 |               |   |  |             |      |                                  |  |
| <b>Wheel   SpdRange   Preset</b>            |  |   |  |                                  |               |                 |               |   |  |             |      |                                  |  |



|                                 |  |
|---------------------------------|--|
|                                 | <p><b>For Wheel only:</b><br/>Press Softkey [<b>PRSET</b>] to select the SLOMO Preset Speed Mode.</p> <p>Press Softkey [<b>UPDATE</b>]. When exiting SLOMO mode, the last used speed is saved in the Preset Speed register.</p> <p>Press Softkey [<b>STATIC</b>]. The Preset Speed register is NOT updated when exiting SLOMO mode. It is only changed by [<b>SHIFT</b>] + [<b>SLOMO</b>] (PRESET SLOMO).</p>  |
| <b>GANG MODE</b>                | <p>Press Softkey to select PERMANENT GANG (described in the FUNCTION Table) or TEMPORARY GANG.</p> <p>In TEMPORARY mode, press and hold the VTR key that you want to read status from, then press the VTR#s of those VTRs that you want to include in the gang. Release the keys. The LED on the monitored VTR blinks, all other VTRs in the gang stay on constantly. To break the temporary gang, press any VTR# key.</p>   |
| <b>ST300 SETUP</b>              | <div style="border: 1px solid black; padding: 5px; margin: 10px auto; width: fit-content;"> <p style="text-align: center;">ST300 SETUP</p> <p style="text-align: center;">Clear Cues                      SetDefault</p> </div> <p>Press Softkey beneath ClearCues to clear all Cue Points to 00:00:00:00. Press Softkey [<b>YES</b>] when asked “Are You Sure?”</p> <p>Press Softkey beneath SetDefault to set ST300 to default settings. Press Softkey [<b>YES</b>] when asked “Are You Sure?”</p> <p><b>IMPORTANT NOTE:</b> Please set these items during initial installation.</p> |
| <b>DISPLAY SOFTWARE VERSION</b> | <p>The version number and date for the currently installed software is displayed. For example:</p> <div style="border: 1px solid black; padding: 5px; margin: 10px auto; width: fit-content;"> <p style="text-align: center;">4000CL-O                      V3.1</p> <p style="text-align: center;">092201</p> </div>  |
| <b>SYNC</b>                     | <p>Set to ON if black burst is supplied to the Ref Video connector on the rear panel. Set to OFF if no blackburst is supplied.</p>   |
| <b>AUTO RECUE</b>               | <p>If Set to [<b>ON</b>] the video automatically recues back to the IN point (or to the beginning of the clip if there is no IN point) after the playout reaches OUT point (or the end of the clip).</p>   |
| <b>RECORD</b>                   | <p>Press Softkey to select single button or 2-button record.<br/>RECORD = [<b>REC</b>] Only.<br/><b>OR</b><br/>[<b>REC</b>] + [<b>PLAY</b>].</p>   |
| <b>RECALL MODE</b>              | <p>Press Normal or Redirect (Redir).<br/>When one and only one clip is learned into a Cue Point, the Clip will be REDIRECTED to load on the currently selected VTR if REDIR is on.<br/><br/>If REDIR is off, the Clip will be loaded on the VTR it is LEARNED into.</p>  |
| <b>ENTER PREROLL</b>            | <p>00:00:00:00<br/>Enter Preroll value using the numeric keypad.</p>   |

|                                    |   |
|------------------------------------|---|
| <b>RECORD<br/>DELAY</b>            | Enter up to 99 frames record delay (used in Capture Function).<br>Typical value is 3 frames.  |
| <b>CONTROL<br/>MODE<br/>SELECT</b> | Select Control mode Odetics^BVW.<br>Have Odetics selected for video server control and clip access.<br>Have BVW selected to access media by timecode. |
| <b>TRANSMIT<br/>CUELIST</b>        | Transmits Cuelist to another ST300 or to a PC.<br>See Section 16.a. "TRANSMIT CUE LIST FUNCTION."   |
| <b>RECEIVE<br/>CUELIST</b>         | Receives Cuelist from another ST300 or a PC.<br>See Section 16.b. "RECEIVE CUE LIST FUNCTION."  |

## 19. FUNCTION TABLE

| Function            | Key Press  | Description  |
|---------------------|--|--|
| GOTO ENTERED TIME   | [SHIFT] + [RECUE]  | Search the VTR to the manually entered time.<br><br>Use the ST300 numeric keypad. Press [ENTER] or [RECUE].<br><br>NOTE: GRASS VALLEY GROUP Profile does <b>not</b> support TC or VITC time search.  |
| GANG                | [SHIFT]+[VTR #1]<br>OR<br>[SHIFT]+[VTR #2]<br>OR<br>[SHIFT]+[VTR #3]<br>OR<br>[SHIFT]+[VTR #4] | Individually press the VTR keys to be included in the gang; the LED above the key will turn on. Press the VTR key again to remove from gang; the LED above the key will turn off. Press [ESC] to exit.<br><br>The VTR LEDs that are on show the gang.<br>The flashing LED shows which VTR is currently selected. |
| FFWD                | [FFWD]   | Press and HOLD to shuttle. Release key to stop. Set WIND Speed in MENU.  |
| JOG                 | [JOG]  | Select JOG mode and enable Wheel.  |
| LAST CUE            | [LAST CUE]   | Step to the previous Cue Point Location.   |
| NEXT CUE            | [NEXT CUE]   | Step to the next Cue Point Location.   |
| RECORD              | [REC]  | Places VTR into the Record mode selected by RECORD MODE in the SETUP MENU. Press [RECORD] or [RECORD] + [PLAY].  |
| REWIND              | [RWD]  | Press and HOLD to shuttle. Release key to stop. Set WIND Speed in MENU.  |
| SHUTTLE             | [SHUTTLE]  | Select SHUTTLE mode and enable Wheel.  |
| SLOMO               | [SLOMO]  | Press [SLOMO] to slo-mo the VTR. Turn the Wheel (or move the T-Bar, if available) to change the play speed.<br>Press [SLOMO] to STILL frame.<br><b>OR</b><br>Press any transport key to exit SLOMO.  |
| SLO-MO SPEED PRESET | [SHIFT] + [SLOMO]  | For WHEEL <b>ONLY</b> :<br>Press [SHIFT] + [SLOMO] to preset the slo-mo speed.<br>Turn the Wheel to select desired speed.<br>Press [ESC] or any transport key to exit.   |
| STOP                | [STOP]   | Press once to STILL frame VTR.<br>Press again to put VTR into STOP mode.   |
| TIME MODE SELECT    | [TIME MODE]  | Press to toggle between Timecode (TC), VITC (VT) or Tape Timer (TM) display modes.   |

|                             |                                    |  |
|-----------------------------|------------------------------------|--|
| LOOP CLIP                   | [ <b>LOOP ENABLE</b> ]             | Press to loop a whole clip or a part between IN & OUT points (if marked).  |
| PLAY                        | [ <b>PLAY</b> ]                    | Plays the clip.<br>If the OUT point is set, stops at the OUT point.<br>If no OUT point is set, plays to the end of the clip.<br>If the clip ends with “*”, loops the clip. |
| PLAY TO THE END OF THE CLIP | [ <b>SHIFT</b> ] + [ <b>PLAY</b> ] | Plays to the end of the clip.<br>Disregards the OUT point and the “*”.   |
| ALIGN GANGED CHANNELS       | [ <b>SHIFT</b> ] + [ <b>STOP</b> ] | Reestablishes the initial offset between ganged channels.  |

## 20. SPECIFICATIONS

### ST300

|                        |   |
|------------------------|---|
| Power:                 | 90 VAC to 265 VAC adapter supplied with IEC connector   |
| Size:                  | (L" x W" x H") 12" x 6" x 1.5" (front) 3.0" (rear)<br>(T-bar unit is 12.6" long)                    |
| Weight:                | 4 lbs.  |
| Rear Panel Connectors: | VTR1, VTR2, VTR3, VTR4 .....(All DB9F)<br>GPI .....(DBF15F)<br>Power .....(DB9M)<br>Aux .....(DB9F) |
| Display:               | Easy to read 2-line, back-lit LCD display<br>(User adjustable contrast)                             |
| Jog/Shuttle Wheel:     | With mechanical detents.  |
| Optional "T"-bar:      | Slo-mo 0-200% of Play Speed   |

### RS422 SERIAL CONNECTOR

#### 9-Pin D-Type, Female

|       |   |                 |   |                |
|-------|---|-----------------|---|----------------|
| Pin # | 1 | Frame Ground    | 6 | Receive Common |
|       | 2 | Receive A ←     | 7 | Receive B ←    |
|       | 3 | Transmit B →    | 8 | Transmit A →   |
|       | 4 | Transmit Common | 9 | Frame Ground   |
|       | 5 | Spare           |   |                |

### POWER CONNECTOR

#### 9-Pin D-Type, Male

|       |   |         |   |        |
|-------|---|---------|---|--------|
| Pin # | 1 | +5v DC  | 6 | +5 VDC |
|       | 2 | +5v DC  | 7 | Ground |
|       | 3 | Ground  | 8 | Ground |
|       | 4 | +12 VDC | 9 | Ground |
|       | 5 | -12 VDC |   |        |

### AUX CONNECTOR (PBus IN) RS422 SERIAL CONNECTOR

#### 9-Pin D-Type, Female (DB9F)

|       |   |               |   |               |
|-------|---|---------------|---|---------------|
| Pin # | 1 | Frame Ground  | 6 | Common        |
|       | 2 | No Connection | 7 | No Connection |
|       | 3 | Receive B ←   | 8 | Receive A ←   |
|       | 4 | Common        | 9 | Frame Ground  |
|       | 5 | Spare         |   |               |

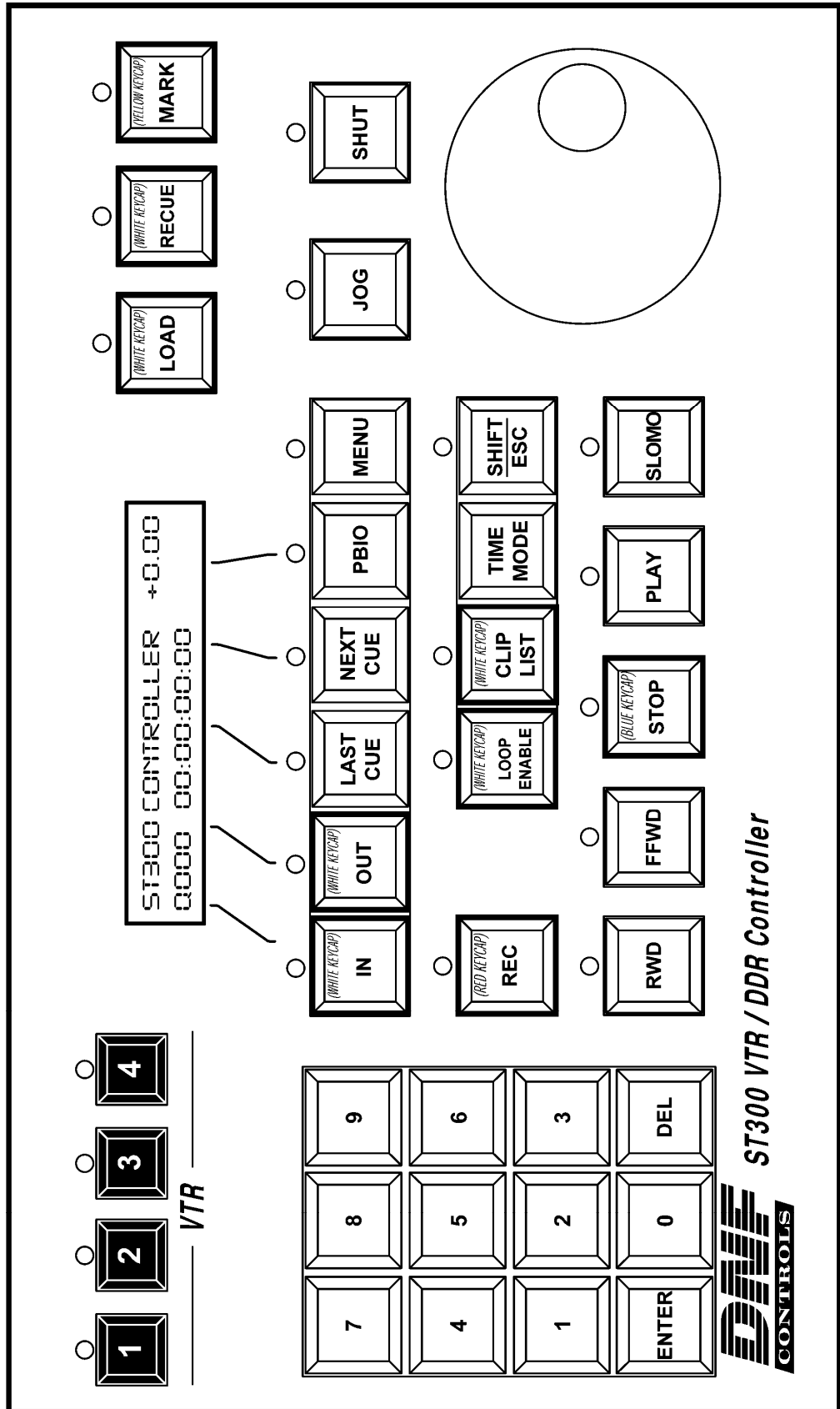
## **GPI IN/OUT CONNECTOR**

### **15-Pin D-Type, Female (DB15F)**

| <b>Pin #</b> | <b>Description</b> | <b>Function</b> | <b>Pin #</b> | <b>Description</b> | <b>Function</b> |
|--------------|--------------------|-----------------|--------------|--------------------|-----------------|
| 1            | GPI 1 Out          |                 | 9            | GPI 1 In           | Play            |
| 2            | GPI 2 Out          |                 | 10           | GPI 2 In           | Stop            |
| 3            | GPI 3 Out          |                 | 11           | GPI 3 In           | Recue           |
| 4            | GPI 4 Out          |                 | 12           | GPI 4 In           | Next Cue        |
| 5            | GPI 5 Out          |                 | 13           | GPI 5 In           | Last Cue        |
| 6            | GPI 6 Out          |                 | 14           | GPI 6 In           | Recall          |
| 7            | GPI 7 Out          |                 | 15           | GPI 7 In           |                 |
| 8            | Ground             |                 |              |                    |                 |

# 21. KEY LAYOUT

## ST300 KEY CONFIGURATION 2034CL-0 & 4000CL-0 V3.1 (& -T, & -PBIO)



## **22. DNF CONTROLS LIMITED WARRANTY**

DNF Controls warrants its product to be free from defects in material and workmanship for a period of one (1) year from the date of sale to the original purchaser from DNF Controls.

In order to enforce the rights under this warranty, the customer must first contact DNF's Customer Support Department to afford the opportunity of identifying and fixing the problem without sending the unit in for repair. If DNF's Customer Support Department cannot fix the problem, the customer will be issued a Returned Merchandise Authorization number (RMA). The customer will then ship the defective product prepaid to DNF Controls with the RMA number clearly indicated on the customer's shipping document. The merchandise is to be shipped to:

DNF Controls  
12843 Foothill Blvd., Suite C  
Sylmar, CA 91342  
USA

Failure to obtain a proper RMA number prior to returning the product may result in the return not being accepted, or in a charge for the required repair.

DNF Controls, at its option, will repair or replace the defective unit. DNF Controls will return the unit prepaid to the customer. The method of shipment is at the discretion of DNF Controls, principally UPS Ground for shipments within the United States of America. Shipments to international customers will be sent via air. Should a customer require the product to be returned in a more expeditious manner, the return shipment will be billed to their freight account.

This warranty will be considered null and void if accident, misuse, abuse, improper line voltage, fire, water, lightning or other acts of God damaged the product. All repair parts are to be supplied by DNF Controls, either directly or through its authorized dealer network. Similarly, any repair work not performed by either DNF Controls or its authorized dealer may void the warranty.

After the warranty period has expired, DNF Controls offers repair services at prices listed in the DNF Controls Price List. DNF Controls reserves the right to refuse repair of any unit outside the warranty period that is deemed non-repairable.

DNF Controls shall not be liable for direct, indirect, incidental, consequential or other types of damage resulting from the use of the product.

###