



12843 Foothill Blvd. Suite C
Sylmar, California 91342
V: 818.898.3380
F: 818.898.3360
sales@dnfcontrols.com

**Model No. ST304-Edit
and ST304-Edit-T
for
BVW Protocol**

**SLOW MOTION CONTROLLER
With
AUTO-EDIT and
A/B CUTS ONLY EDIT**

USER MANUAL

Revision 1.32

Table of Contents

I. REVISION HISTORY	2
GETTING STARTED . . .	3
II. SYSTEM DESCRIPTION	3
III. INSTALLATION	4
IV. CONNECTION DIAGRAM	4
V. OPERATION	5
A. LCD DISPLAY-	5
B. TRANSPORT CONTROL	5
C. CUE POINTS	5
D. GOTO/PREROLL TO A MANUALLY ENTERED TIME	6
E. RECORD MODE SELECTION	6
F. TIME CODE GENERATOR PRESET	7
G. AUTO-EDIT FUNCTION	7
H. EDITING FUNCTIONS	8
REFERENCE . . .	10
VI. SETUP MENU	10
VII. FUNCTION TABLE	13
VIII. SPECIFICATIONS	16
IX. KEY LAYOUT	17
X. DNF CONTROLS LIMITED WARRANTY	19

I. REVISION HISTORY

071704	Rev. 1.0	Original document.
091504	Rev. 1.1	Corrected typos and manual errors.
111804	Rev. 1.2	Updated function list & Setup Menu list.
120304	Rev. 1.3	Minor reformatting.
110106	Rev. 1.31	Added AUTO-EDIT function.
062111	Rev 1.32	Noted that AUTO-EDIT works with Insert Edit

Getting Started . . .

II. SYSTEM DESCRIPTION

The ST304-EDIT Slow Motion Controller combines the power of the ST300 Slow Motion Controller with a larger 4-line display and simple machine-to-machine editing.

Controls up to 4 VTRs using SONY BVW protocol.

T-BAR or detented Wheel for Fast and Easy slomo-ing:

0-200% or -100% to + 200% of Play speed.

Quickly and easily store and recall 400 Cue Points - 100 per VTR. All Cue Points are retained when power is off.

Fast and easy to search to a cue point or manually entered time code entry.

Set pre-roll duration from one frame to one hour.

On the ST304 front panel, pressing the EDITOR key will enable EDITING functions.

Fast, easy to use, machine-to-machine editing.

Easy to read 4-line display quickly shows in, out and duration.

Numeric keypad provides quick and easy entry of in and out points.

Video Reference input provides frame accurate edits.

DEFINITIONS

Throughout this document VTR, DDR, VDR & Video Server will be referred to collectively as "VTR."

The ST304-EDIT will be referred to as "ST304."

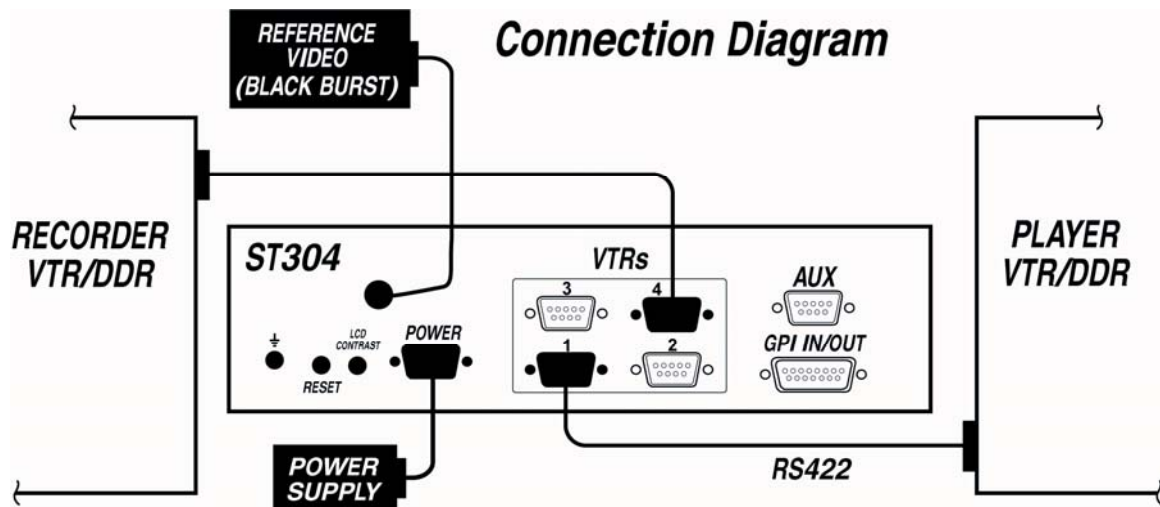
Words surrounded by brackets, for example, [ENTER], are keys on the ST304.

[XXX] + [XXX] means hold the two keys down simultaneously.

III. INSTALLATION

- i) Plug one end of a 9-conductor, RS422 serial cable into the VTR1, VTR2, VTR3, or VTR4 connector on the rear of the ST304. Plug the other end of the cable into the 9-pin REMOTE connector on the VTR.
- ii) Connect Black Video to the Reference Video BNC on the rear of the ST304.
- iii) NOTE: The ST304 will perform edits without reference. Reference Video is required for frame accurate edits.
- iv) Plug the Power Supply into an outlet, 90 VAC – 240 VAC.
- v) Select REMOTE mode on the VTR's front panel.
- vi) Check the SETUP MENU prior to using the Slow Motion Controller to confirm proper Record mode, SLO-MO speed range, and other User settable modes.

IV. Connection diagram



V. OPERATION

A. LCD DISPLAY-

4- line x 20 characters

During normal operation, the top row of the display shows the selected time mode and current time location of the selected VTR. The third and fourth rows of the display show the current Cue Point number and its contents.

In EDITOR mode, the top row of the display shows the selected time mode and current time location of the selected VTR. The remaining rows show current IN point, OUT point, and duration of the selected VTR.

Time Modes - TM= Tape Timer TC= LTC VT= VITC

(Pressing **[TIME MODE]** will toggle through the different time modes.)

The currently selected SLO-MO speed is displayed on the far right side of the top row.

B. TRANSPORT CONTROL

Select the desired transport function by pressing the appropriate switch on the ST304.

The Real-Time Status Indicators will light to indicate the VTR's current tape transport mode.

For example: Pressing **[PLAY]** will put the Player into the PLAY mode.

The PLAY status Indicator will turn on when the VTR is in PLAY mode.

OR

Press **[RECORD] + [PLAY]** to put the Recorder into RECORD mode. (See SETUP MENU.)

The RECORD status indicator will turn on when the VTR is in RECORD Mode.

NOTE: Check SETUP MENU prior to using the SLOW MOTION CONTROLLER to confirm proper Record mode and other User settable modes.

C. CUE POINTS

1. Select a Cue Point

Press **[NEXT CUE]** or **[LAST CUE]** to step through the Cue Points.

OR

Manually enter the desired Cue Point number using the numeric keypad.

The current Cue Point number and its contents (IN point and OUT point) will be shown on the second and third lines of the display.

2. Mark/Enter/Edit a Cue Point

Press **[MARK]** to mark the VTR's time into the Cue Point IN point.

Press **[IN]** to mark the VTR's time into the Cue Point IN point.

Press **[OUT]** to mark the VTR's time into the Cue Point OUT point.

OR

Press **[SHIFT]+[IN]** to use the numeric keypad to enter an IN point.

OR, press **[SHIFT]+[OUT]** to use the numeric keypad to enter an OUT point.

Manually enter a time on the numeric keypad. Press **[ENTER]** to save the entered time. The IN(OUT) indicator will turn on.

OR

Press [ESC] to exit without saving.

3. **GOTO/PREROLL** to a Cue Point

Select the desired Cue Point. The Cue number and its contents are shown on the bottom line of the display.

Press [**GOTO**] to search to the Cue Point's IN point.

OR

Press [**PREROLL**] to preroll to the Cue Point's IN time.

D. GOTO/PREROLL TO A MANUALLY ENTERED TIME

1. Press [SHIFT]+[GOTO] to manually enter a time on the numeric keypad

Manually enter the desired time on the numeric keypad.

2. Press [GOTO] to search to the entered time.

OR

Press [**PREROLL**] to preroll to the entered time.

OR

Press [ESC] to exit without searching.

E. RECORD MODE SELECTION

1. Press [MENU]. The MENU indicator will turn on.

2. Turn the Wheel until "REC" is viewed on the top line of the display. The current Record mode is shown.

3. Press [MENU] to select:

4. Record Lockout, Assemble, Crash or Insert Record mode.

INSERT ONLY - Press the desired Softkey to toggle Video, Audio 1, Audio 2, Audio 3 or Audio 4 record on/off.

The **Softkeys** are located just below the display.

Follow the line graphic from the bottom of the display to the Softkey.

5. Press [ESC] to exit the MENU. The MENU indicator will turn off.

OR

Turn the Wheel for other setup options.

F. TIME CODE GENERATOR PRESET

1. Press **[SHIFT]+[TIME MODE]** to enter Time Code Preset.
2. Press **[ENTER]** to load Time Generator with 00:00:00:00.
3. OR
4. Manually enter the time desired using the numeric keypad, then press **[ENTER]** to load that time.
5. OR
6. Press **[ESC]** to exit without presetting the time code generator.

G. AUTO-EDIT FUNCTION

NOTE: CAN BE USED IN ASSEMBLE OR INSERT EDIT MODE.

1. SET IN POINT ON THE SELECTED VTR. (OUT POINT optional)

Press **[IN]** key to mark the current time code.

OR,

Press **[SHIFT]+[IN]** to manually enter an IN point. Press **[ENTER]** to accept time code entry or **[ESC]** to exit without saving.

The **[IN]** key LED turns on when an IN point is set.

Press **[OUT]** key to mark the current time code.

OR,

Press **[SHIFT]+[OUT]** to manually enter an OUT point. Press **[ENTER]** to accept or **[ESC]** to exit without saving.

The **[OUT]** key led turns on when an OUT point is set.

2. PERFORM AUTO-EDIT

NOTE: Set GANG mode if desired.

Press **[SHIFT]+[RECORD]** to start the AUTO-EDIT process. The VTR will preroll by the amount of time set in the SETUP MENU. Roll to the IN POINT, go into RECORD, cut out at the OUT POINT, roll two seconds past the out point and stop.

H. EDITING FUNCTIONS

The ST304 includes functions enabling the user to perform machine-to-machine editing.

1. SETUP MENU

Press the **[MENU]** key, then turn wheel to select:

Set RECORDER VTR

Set PLAYER VTR

Set RECORD mode

Set Preroll Value

Refer to the Setup Menu section of this manual

2. ENABLE EDIT FUNCTIONS

Press the **[SHIFT]** + **[EDITOR]** key combination to enable EDITOR functions. The EDITOR led will turn on.

To disable EDITOR functions, press the **[SHIFT]** + **[EDITOR]** key combination. The EDITOR led will turn off.

3. SELECT IN (OUT) POINT ON RECORDER

Press **[VTR1]**, **[VTR2]**, **[VTR3]**, or **[VTR4]**, as assigned in the SETUP MENU, to select the Recorder VTR.

Press **[IN]** key to mark the current time code.

OR,

Press **[SHIFT]**+**[IN]** to manually enter an IN point. Press **[ENTER]** to accept time code entry or **[ESC]** to exit without saving.

The **[IN]** key LED turns on when an IN point is set.

Press **[OUT]** key to mark the current time code.

OR,

Press **[SHIFT]**+**[OUT]** to manually enter an OUT point. Press **[ENTER]** to accept or **[ESC]** to exit without saving.

The **[OUT]** key led turns on when an OUT point is set.

4. SELECT IN (OUT) POINT ON PLAYER

Press **[VTR1]**, **[VTR2]**, **[VTR3]**, or **[VTR4]**, as assigned in the SETUP MENU, to select the Player VTR.

Press **[IN]** key to mark the current time code.

OR,

Press **[SHIFT]**+**[IN]** to manually enter time an IN point. Press **[ENTER]** to accept time code entry or **[ESC]** to exit without saving.

The **[IN]** key led turns on when an IN point is set.

Press **[OUT]** key to mark the current time code.

OR,

Press **[SHIFT]+[OUT]** to manually enter an OUT point. Press **[ENTER]** to accept or **[ESC]** to exit without saving.

The **[OUT]** key led turns on when an OUT point is set.

5. DELETE IN(OUT) POINT

Press **[DEL] + [IN]** (or **[OUT]**) to delete the IN/OUT point. The IN (or OUT) led will turn off.

6. TRIM IN/OUT POINT

When an IN or OUT point is marked (IN or OUT indicator is on), the user may change the time code value in two ways:

Manually enter a new value.

Press **[SHIFT]+[IN]** to manually enter an IN point. Press **[ENTER]** to accept time code entry or **[ESC]** to exit without saving.

Press **[SHIFT]+[OUT]** to manually enter an OUT point. Press **[ENTER]** to accept or **[ESC]** to exit without saving.

OR,

Trim the existing value.

Press the **[TRIM]** key.

The display will prompt “Enter Time, Select Key”.

Manually enter the amount of trim using the numeric keypad.

The top row of the display will show the entered amount.

Press **[IN+]** to add the trim amount to the IN Point.

OR,

Press **[IN-]** to subtract the trim amount from the IN Point.

OR,

Press **[OUT+]** to add the trim amount to the OUT Point.

OR,

Press **[OUT-]** to subtract the trim amount from the OUT Point.

7. PREVIEW EDIT

Press **[SHIFT]+[RECORD]** to preview the edit.

8. PERFORM EDIT

Press & hold **[RECORD]** then press **[PLAY]** to perform edit.

Reference . . .

VI. SETUP MENU

Press [MENU]. The MENU indicator will turn on. Turn the Wheel to select item to change.

Use the Softkeys to change the desired mode for that option. Turn the Wheel at anytime to select another item.

Press [ESC] at anytime to exit SETUP MENU. The MENU indicator will turn off.

MENU MODES	(Turning Wheel Clockwise)
RECORD	<p>Press [MENU] to toggle to the desired record mode: Lockout, Assemble, Crash (Full) or Insert.</p> <p><u>Only</u> in INSERT mode: Press the associated Softkey, located below the display, to toggle Video(V), Audio1(A1), Audio2(A2), Audio3(A3), Audio4(A4) on/off.</p> <p>Press [ESC] to exit.</p> <p>In AUTO EDIT mode, the user will be prompted to select edit mode. Press [MENU] to toggle the desired record mode: Lockout, Assemble, Crash (Full) or Insert.</p> <p><u>Only</u> in INSERT mode: Press the associated Softkey, located below the display, to toggle Video(V), Audio1(A1), Audio2(A2), Audio3(A3), Audio4(A4) on/off.</p> <p>Press [ESC] to exit.</p>
WIND MODE	<p>Press Softkey to select:</p> <p>HOLD (Fast wind is maintained only while key is pressed.)</p> <p>OR</p> <p>LATCH (Fast wind is initiated and maintained with momentary key press.)</p> <p>Select fast wind speed (3.9 to 23.7) by pressing Softkey below SPD.</p>

SLOMO	<p>ST304 display shows</p> <div style="border: 1px solid black; padding: 5px; margin: 5px 0;"> <p>SLOMO with: TBAR</p> <p>Wheel SpdRange Preset</p> </div> <p>(T-Bar version):</p> <p>ST304 display shows</p> <div style="border: 1px solid black; padding: 5px; margin: 5px 0;"> <p>SLOMO with: WHEE</p> <p>SpdRange Preset</p> </div> <p>(Non T-Bar version):</p> <p>Press Softkey [TBAR] (or [WHEEL]) to toggle between T-BAR and WHEEL.</p> <p>The T-BAR has two speed ranges:</p> <p>0 → +200 with a detent at +100 % play speed</p> <p>OR</p> <p>0 → +100 with a detent at +100%</p> <p>For Wheel <u>only</u>:</p> <p>Press Softkey [SPDRANGE] to select SLOMO speed ranges:</p> <p>Press Softkey to select: 0 → +200 OR -100 → +200.</p> <p>Press Softkey [BACK] to return to SLOMO MENU.</p> <p>Press [ESC] to exit SETUP MENU</p> <p>OR turn the Wheel to select another item.</p> <p>For Wheel <u>only</u>:</p> <p>Press Softkey [PRSET] to select the SLOMO Preset Speed Mode.</p> <p style="padding-left: 40px;">Press Softkey [UPDATE].</p> <p style="padding-left: 40px;">When exiting SLOMO mode, the last used speed is saved in the Preset Speed register.</p> <p style="padding-left: 40px;">Press Softkey [STATIC].</p> <p style="padding-left: 40px;">The Preset Speed register is NOT updated when exiting SLOMO mode.</p> <p style="padding-left: 40px;">It is only changed by [SHIFT] + [SLOMO] (PRESET SLOMO).</p>
TBAR AUTOENABLE	Press Softkey [ON] to enable slomo to be engaged by moving the TBAR.
WHEEL AUTOENABLE	Press Softkey [JOG] or [SHUTTLE] to enable that function to be engaged by turning the Wheel. Press Softkey [OFF] to disable this function.
GANG MODE	<p>Press Softkey to select PERMANENT GANG (described in the FUNCTION Table) or TEMPORARY GANG.</p> <p>In TEMPORARY mode, press and hold the VTR key that you want to read status from, then press the VTR#s of those VTRs that you want to include in the gang. Release the keys. The LED on the monitored VTR blinks, all other VTRs in the gang stay on constantly. To break the temporary gang, press any VTR# key.</p> <p>GANG mode is disabled when EDITOR mode is selected.</p>

ST304 SETUP	<div data-bbox="558 128 1036 247" style="border: 1px solid black; padding: 5px; margin-bottom: 10px;"> <p style="text-align: center;">ST304 SETUP</p> <p style="text-align: center;">Clear Cues SetDefault</p> </div> <p>Press Softkey beneath ClearCues to clear all Cue Points to 00:00:00:00. Press Softkey [YES] when asked “Are You Sure?” Press Softkey beneath SetDefault to set ST304 to default settings. Press Softkey [YES] when asked “Are You Sure?”</p>
DISPLAY SOFTWARE VERSION	The version number for the currently installed software is displayed.
REFERENCE VIDEO	Press softkey to Enable/Disable Reference Video.
MARK-Q	Press Softkey to: Enable ADVANCE to next Cue Point when an IN point is marked or entered. OR Maintain CURRENT Cue Point when when an IN point is marked or entered.
DROP FRAME	Press Softkey to select DROP FRAME ON or OFF. Used to preset the VTR’s Timecode Generator.
SEGMENT DURATION	Enter default segment duration. Used by Auto Mark Mode
AUTO MARK MODE	Press [ON] to enable this function- When an IN point is marked or set, the OUT point will be calculated as IN point + Segment Duration. Press [OFF] to disable this function.
PREROLL VALUE	Enter Preroll value. This value is used by the PREROLL and editing functions.
RECORD DELAY	Used by editing functions. Enter the record latency, in frames, for the Recorder VTR This latency is specified by the VTR manufacturer as the number of frames the VTR requires to process a record command.
TCSOURCE	Press [MENU] to select RECORDER or PLAYER as time source during edit. RECORDER is default and recommended setting.
VIDEO STANDARD	Press [PAL] or [NTSC] to select the desired video standard.
EDIT MODE	Press [MENU] to select EDIT MODE1 or EDIT MODE2. EDIT MODE 1 is recommended MODE1 - All IN & OUT marks will use Timecode as time type regardless of the TIME MODE selection. MODE2 - The currently selected TIME MODE will be used when marking IN & OUT.
SET RECORDER VTR	Set the Recorder VTR to VTR1, VTR2, VTR3, or VTR4.
SET PLAYER VTR	Set the Player VTR to VTR1, VTR2, VTR3, or VTR4.

VII. FUNCTION TABLE

Function	Key Press	Description
EDIT	[REC]+[PLAY]	With EDITOR mode enabled- Press & hold [REC] and then press [PLAY] to perform edit.
EE On/Off	[REC]	Toggle EE mode on/off. Status indicator is on when EE is on. NOTE: Machine must be in STOP or STILL mode for REC k to enable EE mode. Pressing any transport key will turn off EE mode.
EJECT	[SHIFT]+[STOP]	Press [SHIFT]+[STOP] to eject tape.
ENTER TIME	[SHIFT]+[IN] [SHIFT]+[OUT] [SHIFT]+[GOTO]	Press [SHIFT]+[IN] and [SHIFT]+[OUT] to manually enter IN and OUT point. Press [ENTER] to save the entry or press [ESC] to exit without saving entry. Press [SHIFT] +[GOTO] to manually enter a search time. Press [ENTER] or [GOTO] to search to the entered time. Press [PREROLL] to preroll to the entered time. Press [ESC] to exit without searching.
FFWD	[FFWD]	Press and HOLD to FFWD. Release key to stop. Set WIND Speed in MENU.
GOTO CUE	[GOTO]	Search the VTR to the IN Point of the currently displayed cue point.
GANG	[SHIFT] + [VTR#1] OR [SHIFT] + [VTR#2] OR [SHIFT] + [VTR#3] OR [SHIFT] + [VTR#4]	For PERMANENT GANG Mode (See Setup Menu) Individually press the VTR keys to be included in the gang; the LED above the key will turn on. Press the VTR key again to remove from gang; the LED above the key will turn off. Press [ESC] to exit. The VTR LEDs that are on show the gang. The flashing LED shows which VTR is currently selected. NOTE: GANG is not available in EDITOR mode.
GO TO IN POINT	[GOTO]	Press to search to currently set IN point. NOTE: If the IN or OUT point is not set (--:--:--:--), GOTO w not function.
JOG	[JOG]	Select JOG mode and enable the Wheel.
LAST CUE	[LAST CUE]	Step to the previous Cue Point Location.
MARK CUE POINT	[MARK]	Save the current time in the currently displayed Cue Point. Pe SETUP MENU, the Cue Point Location will advance to the ne Cue Point location or remain the same.
MARK IN POINT	[IN]	Mark current time as IN point.
MARK OUT POINT	[OUT]	Mark current time as OUT point.

Function	Key Press	Description
NEXT CUE	[NEXT CUE]	Step to the next Cue Point Location.
ON-AIR INDICATOR	GPI #7 in GPI Connector (Not a key press)	When GPI #7 is active low, the 3 left softkey LEDs will turn on. When GPI #7 goes inactive, the LEDs will turn off.
PANEL LOCKOUT	SETUP MENU SETTING	When PANEL LOCKOUT is enabled, only the VTR select keys, PLAY key, and MENU keys are active.
PREROLL TO CUE	[PREROLL]	Search the VTR to the IN Point, less preroll value of the currently displayed cue point. NOTE: If the IN or OUT point is not set (--:--:--:--), GOTO will not function.
AUTO-EDIT	[SHIFT]+[RECORD]	Press [SHIFT]+[RECORD] to start the AUTO-EDIT function. (AUTO-EDIT mode only)
PREVIEW EDIT	[SHIFT]+[RECORD]	Press [SHIFT]+[RECORD] to preview the edit. (EDITOR mode only)
RECORD	[REC]+[PLAY]	With EDITOR mode disabled- Press & hold [REC] and then press [PLAY] to record or perform edit.
REVERSE PLAY	[REV]	For T-BAR ONLY – HOLD key to play video in reverse. RELEASE key to play forward.
REWIND	[RWD]	Press and HOLD to rewind. Release key to stop. Set WIND Speed in MENU.
SEARCH TO TIME	[SHIFT]+[GOTO]	Press [SHIFT] + [GOTO] then manually enter a search time. Press [ENTER] or [GOTO] to search to the entered time. OR, Press [PREROLL] to preroll to the entered time. OR, Press [ESC] to exit without searching.
SHUTTLE	[SHUTTLE]	Select SHUTTLE mode and enable the Wheel.
SLOMO	[SLOMO]	Press SLOMO to slo-mo the VTR. Turn the Wheel or move the T-Bar to change the play speed. Press SLOMO to STILL frame OR press any transport key to exit.
SLO-MO SPEED PRESET	[SHIFT] + [SLOMO]	For WHEEL ONLY - to preset the slo-mo speed. Turn the Wheel to select desired speed. Press [ESC] OR any transport key to exit.
STOP	[STOP]	Press once to STILL frame VTR. Press again to put VTR into STOP mode.
TIME MODE SELECTION	[TIME MODE]	Press to toggle between Time Code (TC), VITC (VT) or Tape Timer (TM) display modes.

Function	Key Press	Description
TIME PRESET (Generator Preset)	[SHIFT] + [TIME MODE]	Press to enter Time Preset. Press [ENTER] to load Time Generator with 00:00:00:00. OR enter the time desired via the numeric keypad and press [ENTER] to load that time. OR press [ESC] to exit without saving.

VIII. SPECIFICATIONS

Power: 90 VAC to 265 VAC adapter supplied with IEC connector

Size: (L" x W" x H") 12" x 6" x 1.5" (front) 3.0" (rear)
(T-Bar unit is 12.6" long)

Weight: 4 lbs.

Rear Panel Connectors: VTR1, VTR2, VTR3, VTR4 (All DB9F)
GPI (DB15F)
Power (DB9M)
Aux (DB9F)
Reference Video (BNC)

Display: Easy to read 4-line, back-lit LCD display
(User adjustable contrast)

Jog/Shuttle Wheel With mechanical detents

Optional "T"-bar Slo-mo 0-200% of Play Speed

RS422 SERIAL CONNECTOR

9-Pin D-Type, Female (DB9F)

Pin #	1	Frame Ground	6	Receive Common
	2	Receive A ←	7	Receive B ←
	3	Transmit B →	8	Transmit A →
	4	Transmit Common	9	Frame Ground
5	Spare			

POWER CONNECTOR

9-Pin D-Type, Male (DB9M)

Pin #	1	+5v DC	6	+5 VDC
	2	+5v DC	7	Ground
	3	Ground	8	Ground
	4	+12 VDC	9	Ground
5	-12 VDC			

AUX PORT RS422 SERIAL CONNECTOR

9-Pin D-Type, Female

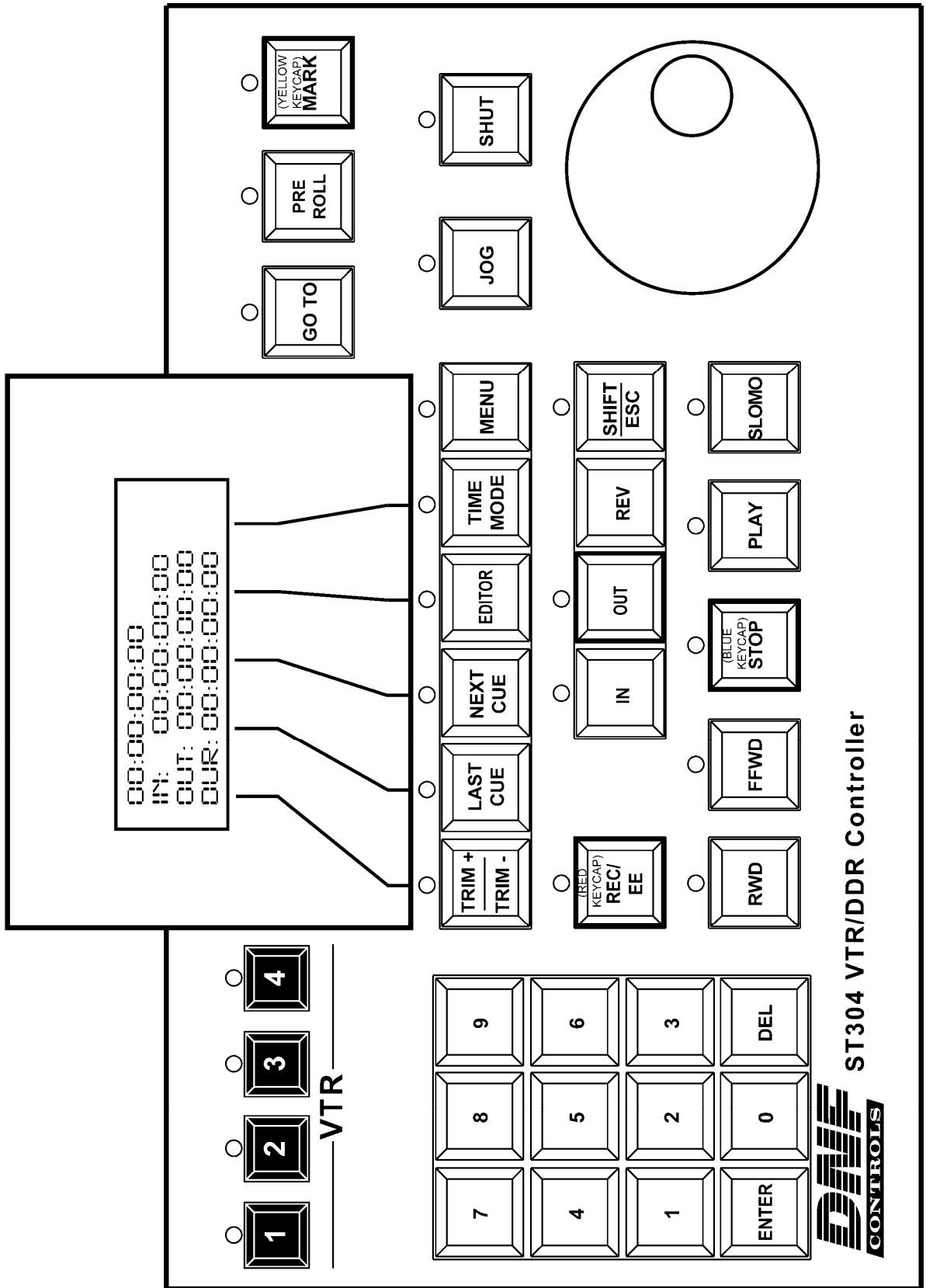
Pin #	1	Frame Ground	6	Transmit Common
	2	Receive A ←	7	Receive B ←
	3	Transmit B →	8	Transmit A →
	4	Receive Common	9	Frame Ground
5	Spare			

GPI IN/OUT CONNECTOR

15-Pin D-Type, Female (DB15F)

Pin #	Description	Function	Pin #	Description	Function
1	GPI 1 Out	PLAY tally out	9	GPI 1 In	PLAY
2	GPI 2 Out	STILL/STOP tally out	10	GPI 2 In	STOP
3	GPI 3 Out	RECORD tally out	11	GPI 3 In	RECORD
4	GPI 4 Out	REWIND tally out	12	GPI 4 In	REWIND
5	GPI 5 Out	FFWD tally out	13	GPI 5 In	FFWD
6	GPI 6 Out	SLOMO tally out	14	GPI 6 In	SLOMO
7	GPI 7 Out		15	GPI 7 In	ON- AIR Tally
8	Ground				

ST304 KEY CONFIGURATION / ST304-EDIT (& - T)



ST304 VTR/DDR Controller



X.DNF CONTROLS LIMITED WARRANTY

DNF Controls warrants its product to be free from defects in material and workmanship for a period of one (1) year from the date of sale to the original purchaser from DNF Controls.

In order to enforce the rights under this warranty, the customer must first contact DNF's Customer Support Department to afford the opportunity of identifying and fixing the problem without sending the unit in for repair. If DNF's Customer Support Department cannot fix the problem, the customer will be issued a Returned Merchandise Authorization number (RMA). The customer will then ship the defective product prepaid to DNF Controls with the RMA number clearly indicated on the customer's shipping document. The merchandise is to be shipped to:

DNF Controls
12843 Foothill Blvd., Suite C
Sylmar, CA 91342
USA

Failure to obtain a proper RMA number prior to returning the product may result in the return not being accepted, or in a charge for the required repair.

DNF Controls, at its option, will repair or replace the defective unit. DNF Controls will return the unit prepaid to the customer. The method of shipment is at the discretion of DNF Controls, principally UPS Ground for shipments within the United States of America. Shipments to international customers will be sent via air. Should a customer require the product to be returned in a more expeditious manner, the return shipment will be billed to their freight account.

This warranty will be considered null and void if accident, misuse, abuse, improper line voltage, fire, water, lightning or other acts of God damaged the product. All repair parts are to be supplied by DNF Controls, either directly or through its authorized dealer network. Similarly, any repair work not performed by either DNF Controls or its authorized dealer may void the warranty.

After the warranty period has expired, DNF Controls offers repair services. Equipment is evaluated and repair price quoted prior to any work performed. DNF Controls reserves the right to refuse repair of any unit outside the warranty period that is deemed non-repairable.

DNF Controls shall not be liable for direct, indirect, incidental, consequential or other types of damage resulting from the use of the product.

###