

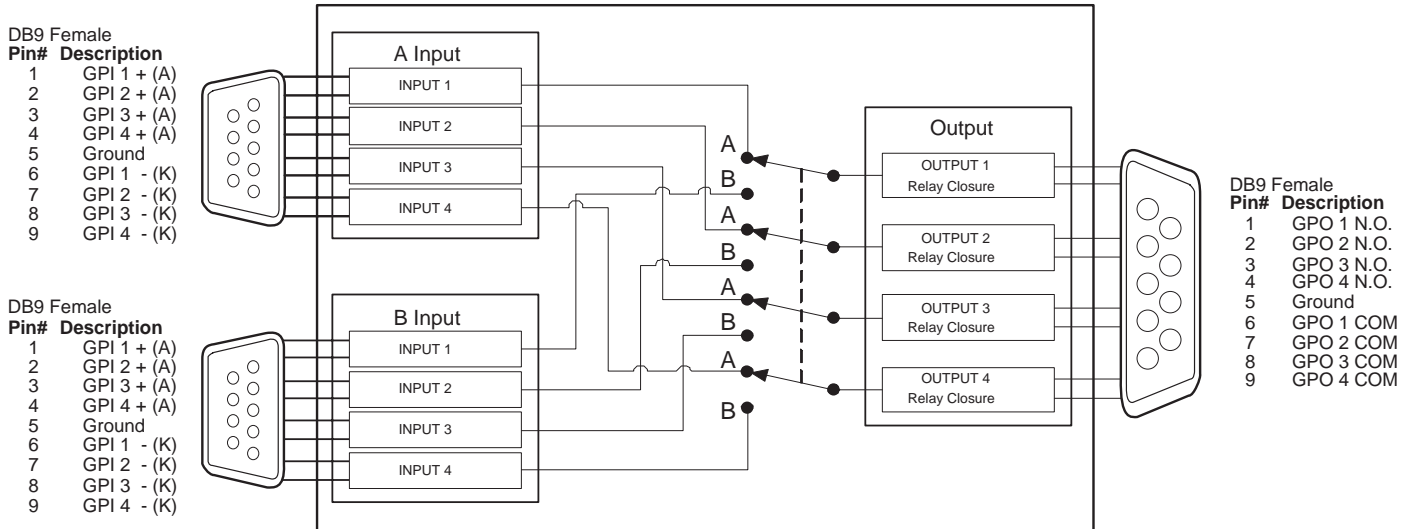


12843 Foothill Blvd.,
 Suite D
 Sylmar, CA 91342
 818 898 3380 voice
 818 898 3360 fax
 Sales@dnfcontrols.com
 www.dnfcontrols.com

NEW!

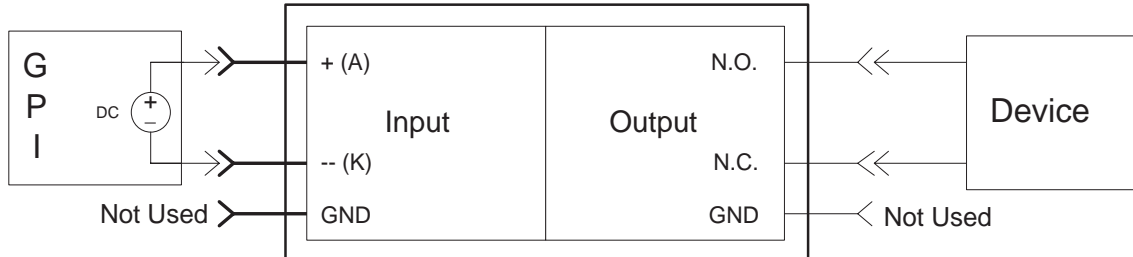
Introducing the Model SW2X1-GPI, card for the DNF Controls - Model SW2X1 Electronic A/B Switch.

- Now you can easily Switch both GPIs and RS422 signals using the Industry standard - **DNF** Model **SW2X1** Electronic A/B Switch!
- You can use the new SW2X1-GPI card to switch between A and B groups of 4 GPI Inputs to 4 GPI Outputs.
- The SW2X1- GPI card has Opto-isolated GPI Inputs for isolation between the Inputs and utilizes *Relay Contact Closure* outputs, which enables the complete isolation of each of the Outputs.
- You can easily switch between WET or DRY jumper selections for the GPI Inputs. Choose “DRY” for Input isolation or choose “WET” to use internal power supply and provide only an external switch to “Common”.
- You can also Mix GPI and RS422 cards in the same SW2X1 housing.
- In the event of a power failure, the “A” Inputs are automatically switched to the *Output*, which provides a “default” position to maintain complete control of default devices.

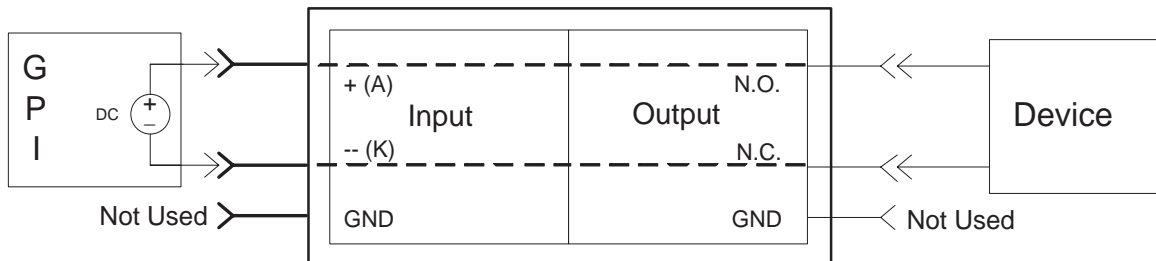


SW2X1-GPI CARD for the SW2X1 Electronic A/B Switch

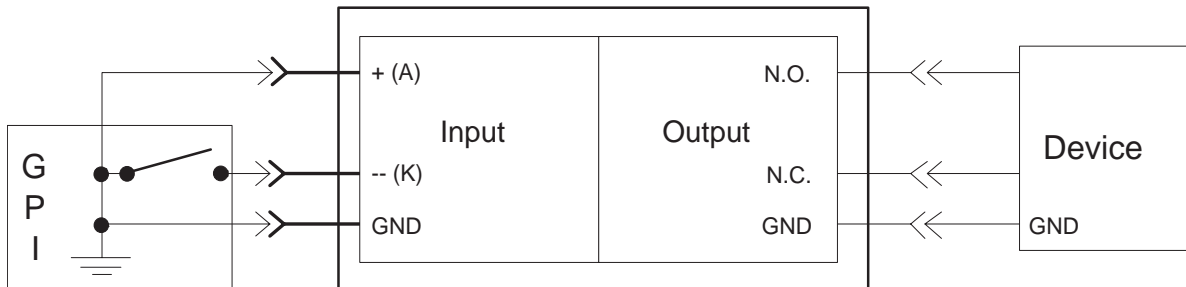
DRY Mode



DRY Mode- Power Failure



WET Mode



WET Mode- Power Failure

