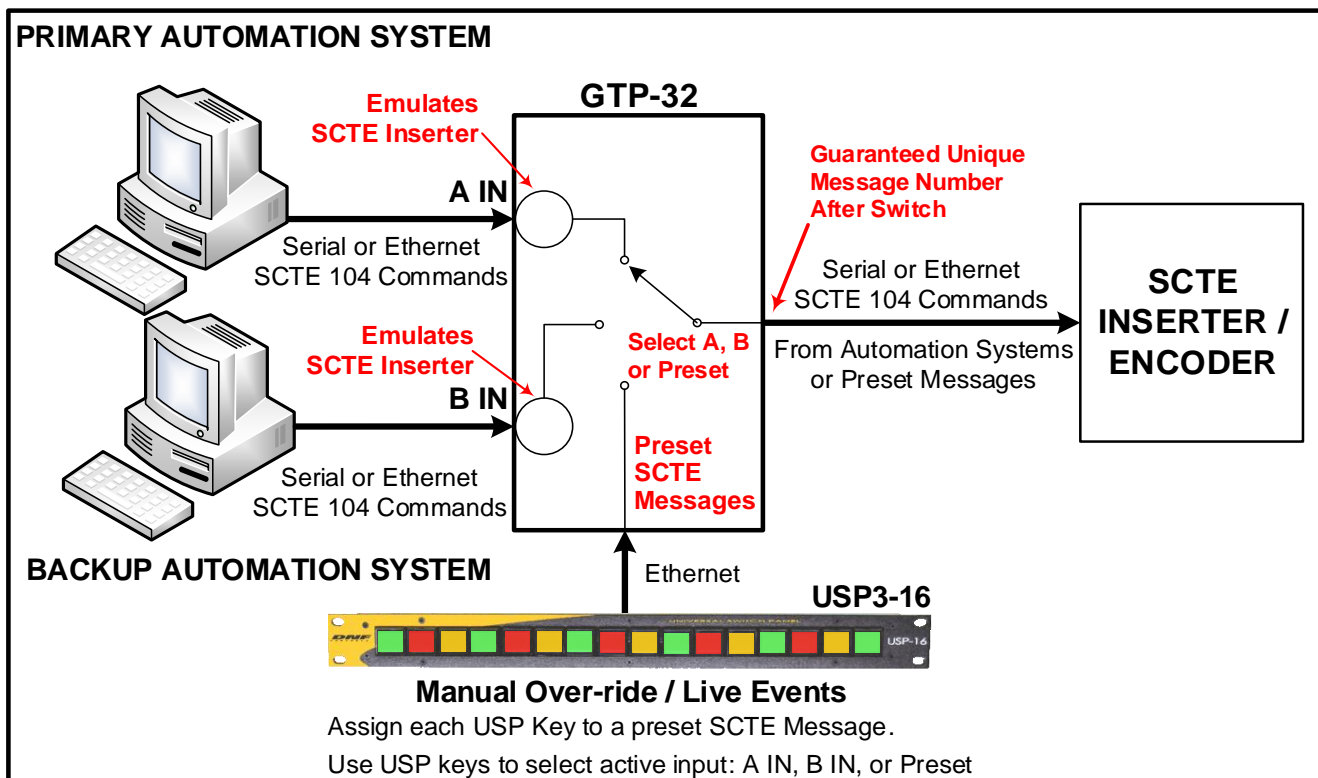


Go-To Solutions that Save Time, Budget and Get the Job Done

SCTE CONTROL: Generation – Switching – Distribution

- **NO** reconfiguration of SCTE Inserter required
- Manual Override for Live or Unexpected Events
- Send SCTE Break Start / Stop Commands
- Safely Switch Between Primary & Backup Automation, or Manual Control
- Mix Serial & Ethernet Automation Systems, Inserters and Encoders
- Easily Create and Edit Multi-Operational SCTE Messages
- Time Descriptor (PTP) supported

NEW

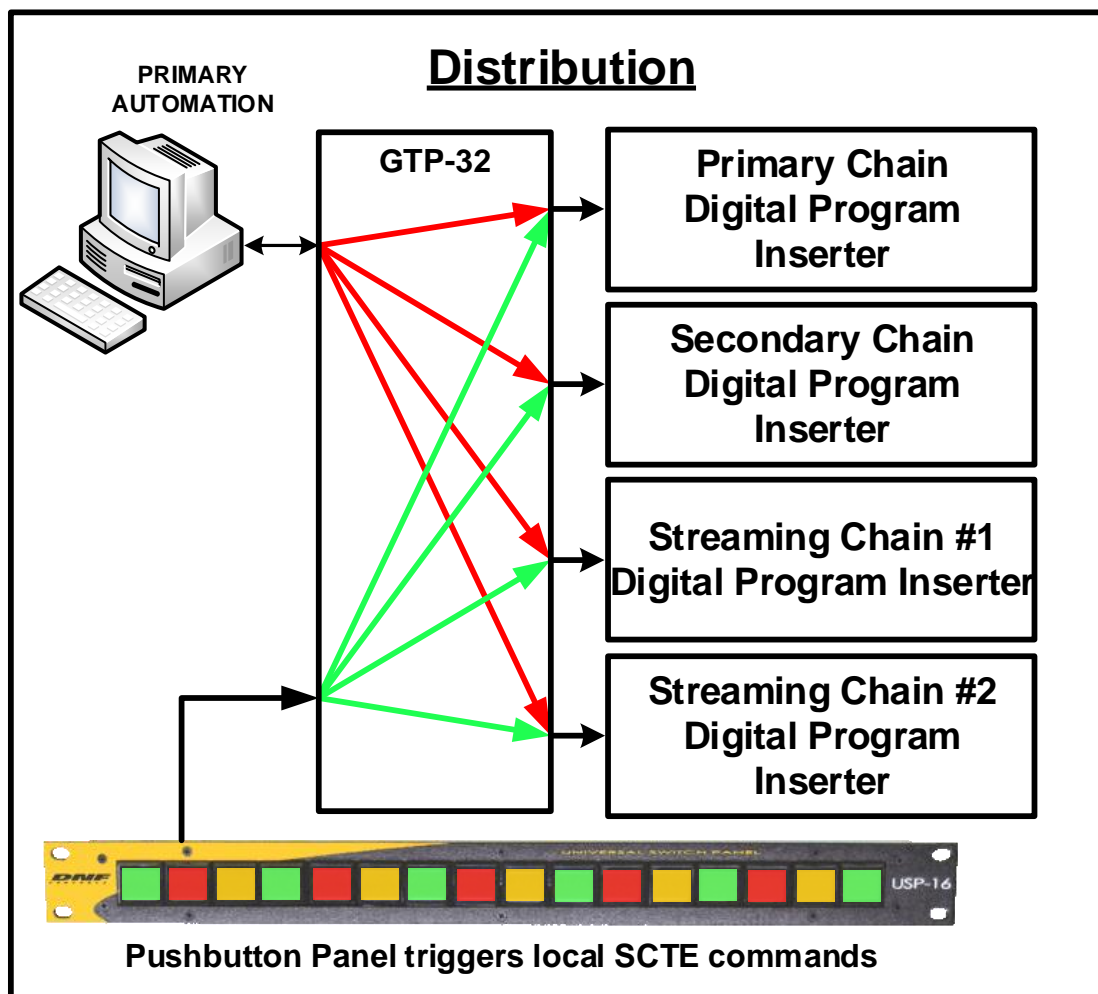


On-Air in the US, Europe, and Asia!

Delivering Trusted Control Solutions for over 25 years

SCTE CONTROL: Generation – Switching – Distribution

- Safely distribute automation system generated SCTE commands across multiple signal chains and streams
- Quickly switch between primary automation, backup automation, and manual operation
- Easily route SCTE commands from automation or operator control to a specific inserter / encoder
- Change routes at the press of a button, GPI, time-of-day event, or alarm



On-Air in the US, Europe, and Asia!

Delivering Trusted Control Solutions for over 25 years